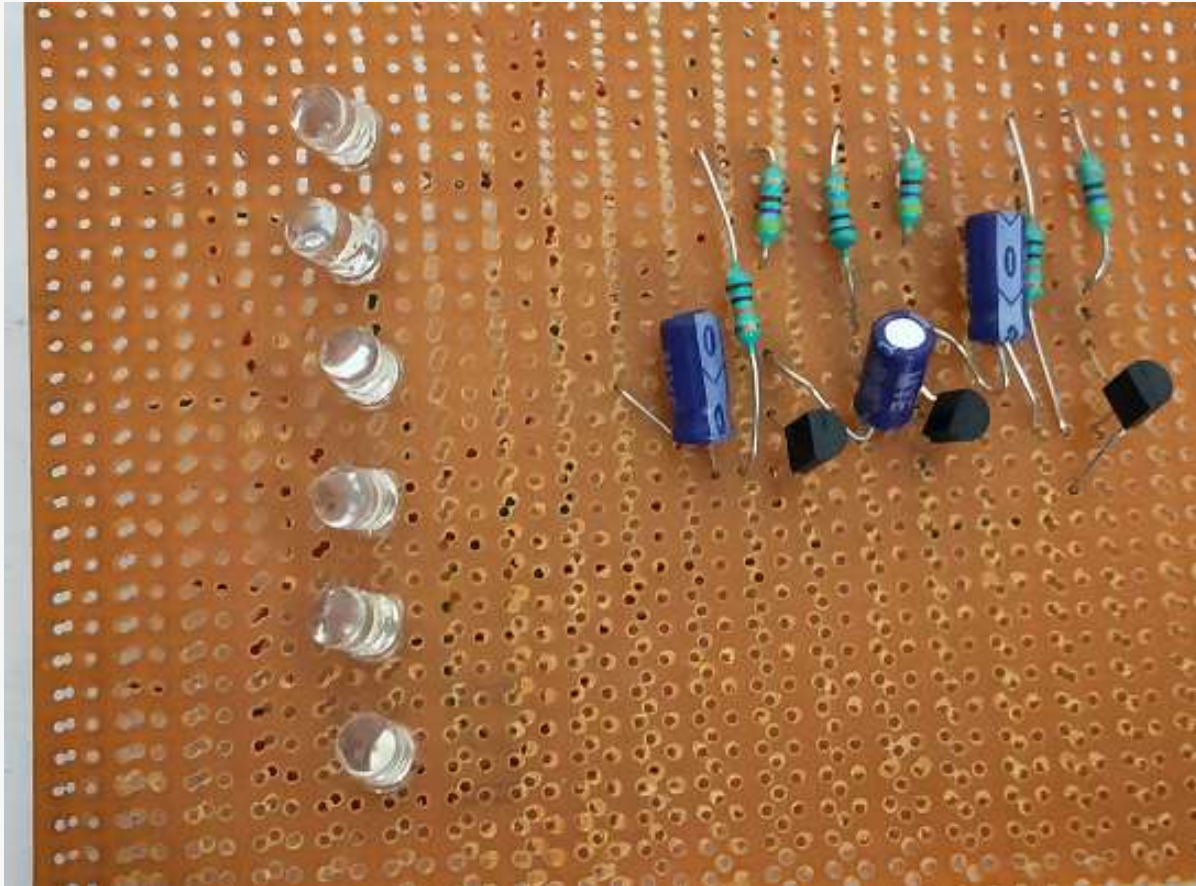
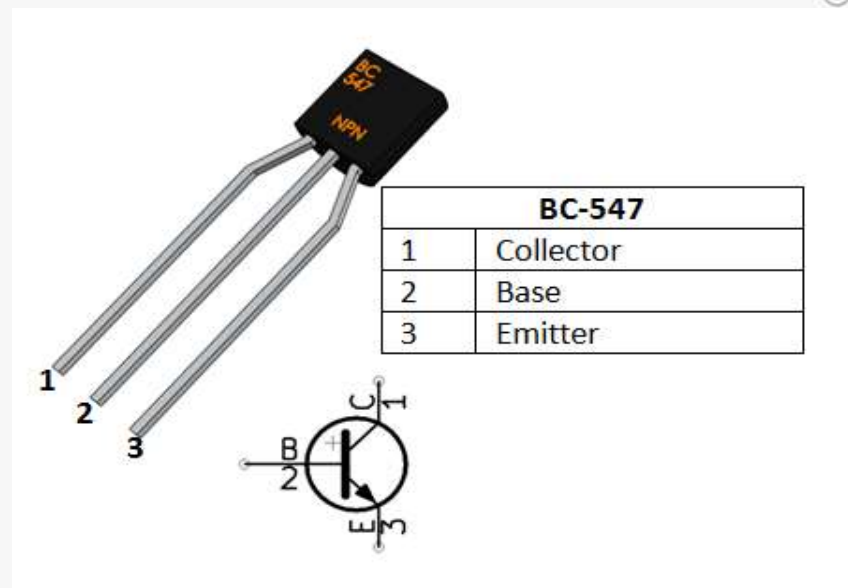


LED Chaser



BC547

BC547 is a NPN transistor hence the collector and emitter will be left open (Reverse biased) when the base pin is held at ground and will be closed (Forward biased) when a signal is provided to base pin.



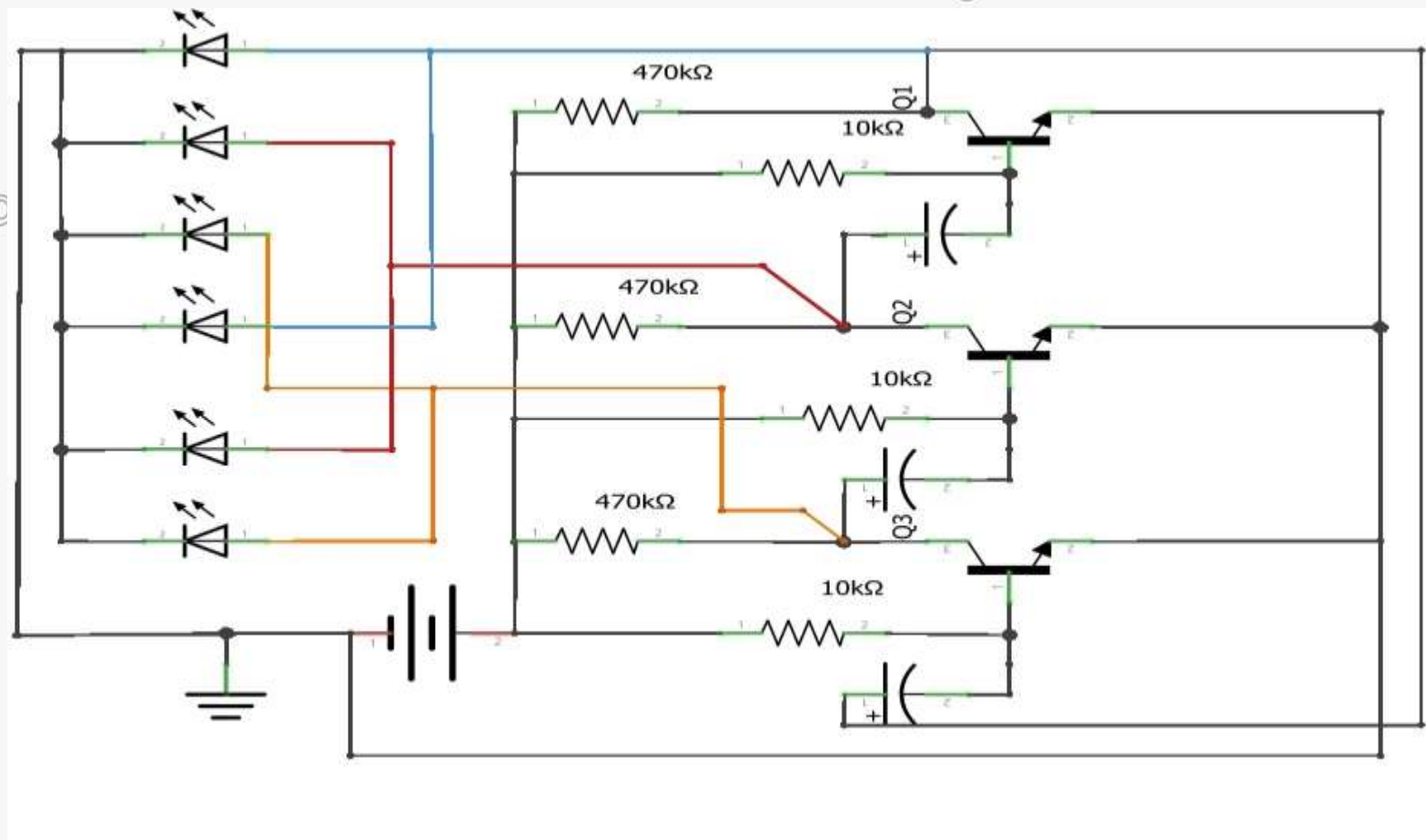
About Project

In this project, an array of LEDs are arranged in such a way that individual LEDs (or small groups of LEDs) turn on and off in a predetermined and repeating sequence, thus producing a visually attractive display in which one or more ripples of light seem to repeatedly run through a chain or around a ring of LEDs.

Components Required

- Zero PCB
- Soldering Machine
- Soldering Wire
- LED (white) [6]
- BC547 Transistor [3]
- Resistor 220ohm [6]
- Battery 9v
- Capacitor 10uf [3]
- Battery connector

Connection Diagram



Future Scope

LED light minimizes the operating and maintenance cost and is also considered as environment friendly lighting, as it does not emit harmful gases. **LEDs** emit very less heat compared to incandescent bulbs and CFLs.

Project Link : <https://youtu.be/M99CksZb4ik>