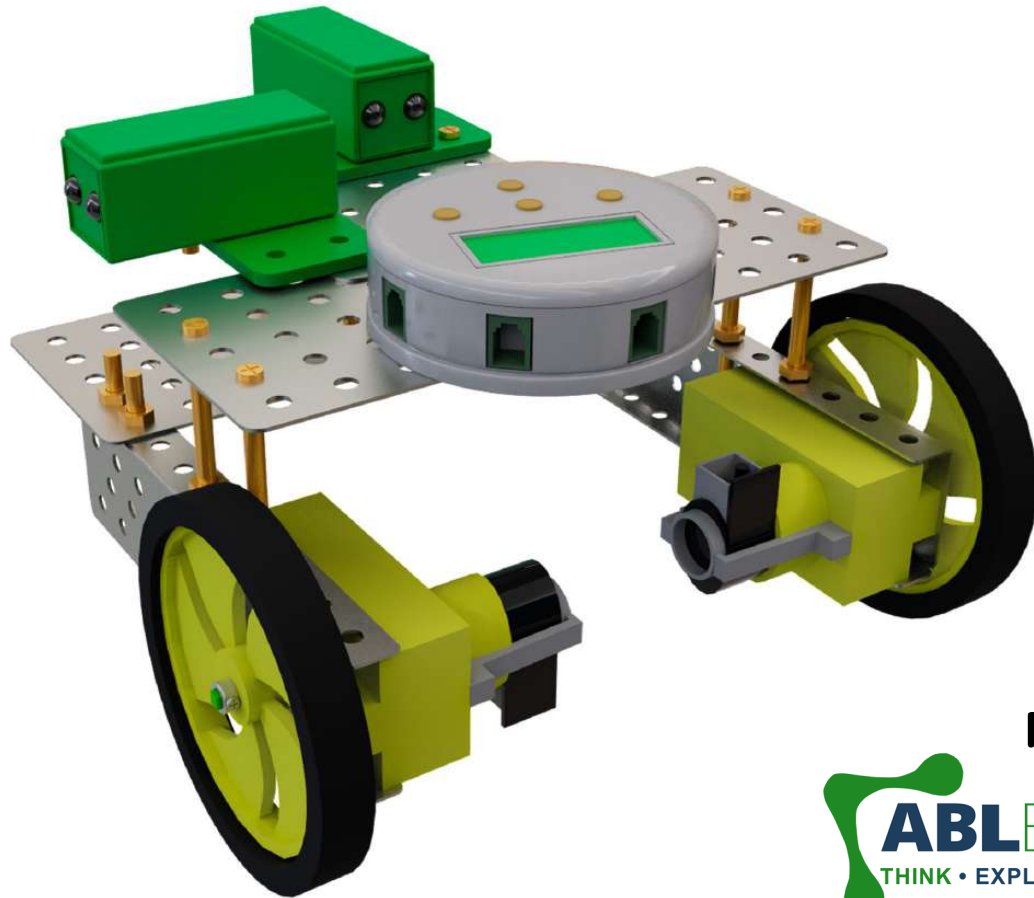
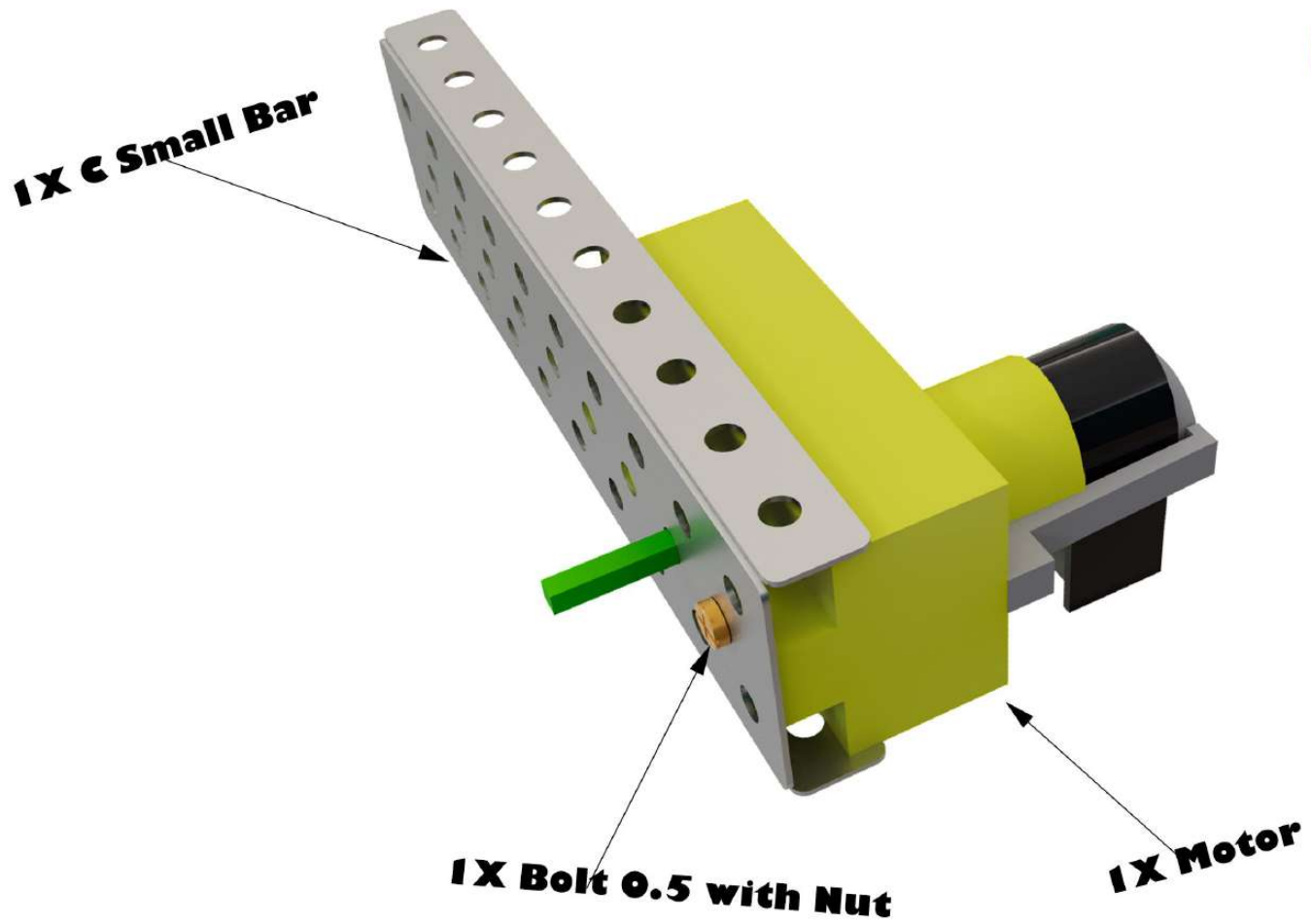


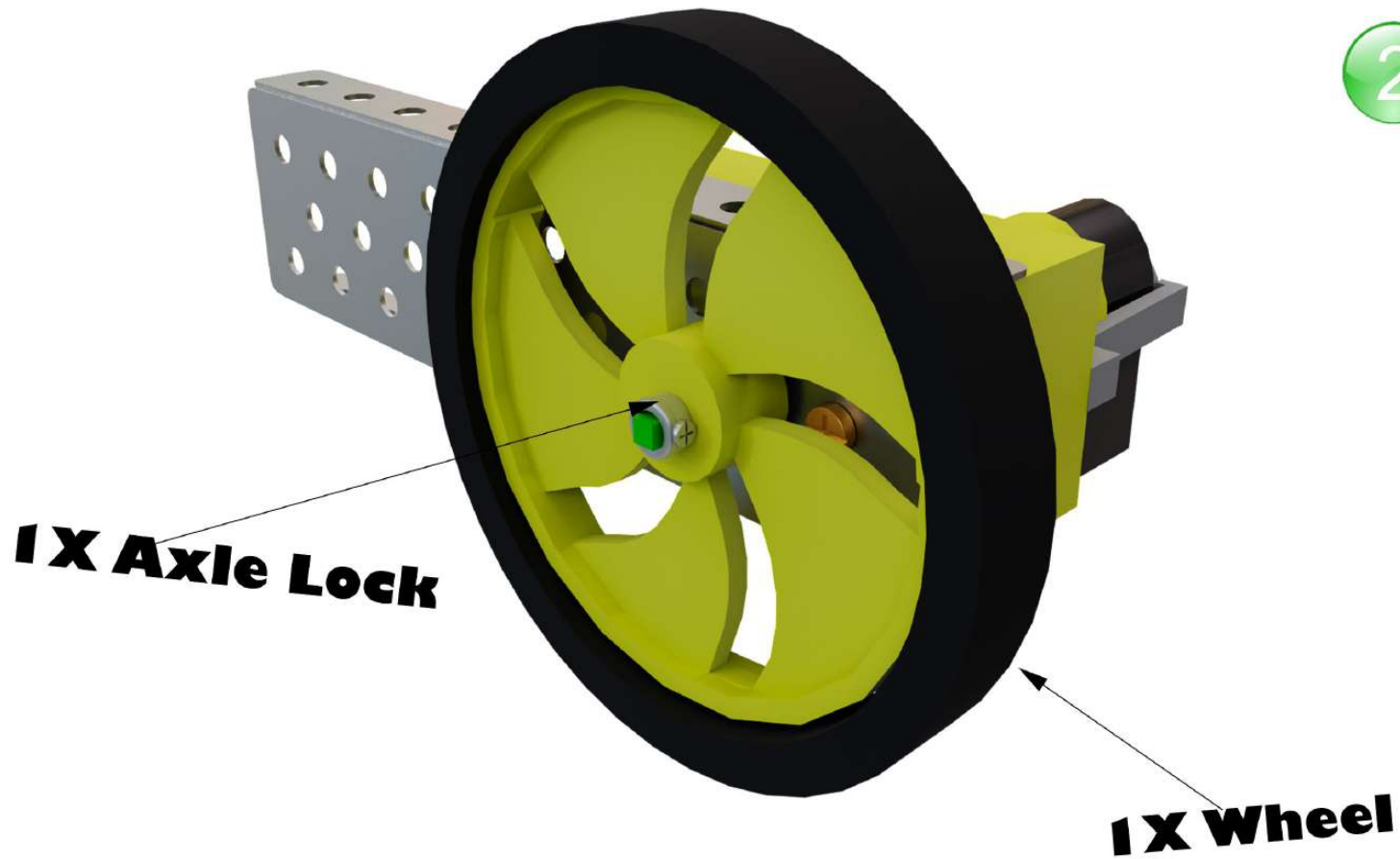
# Wall Followers

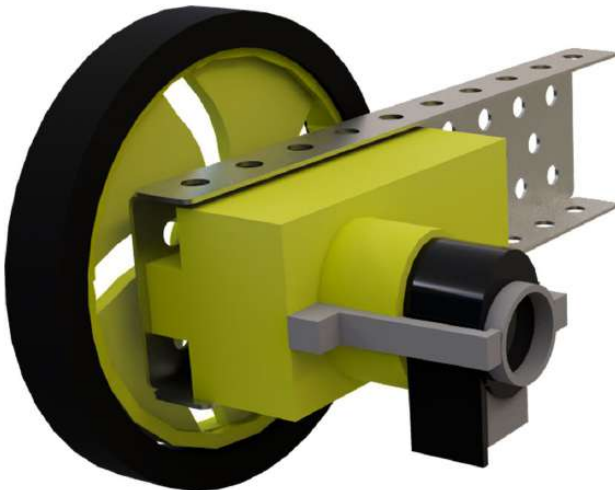


Product of

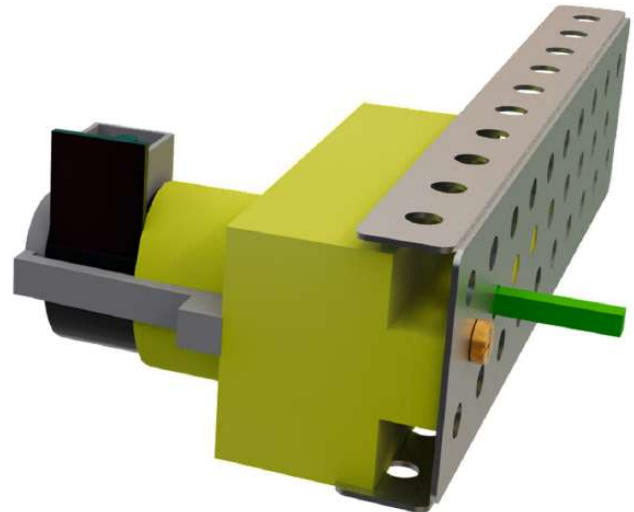


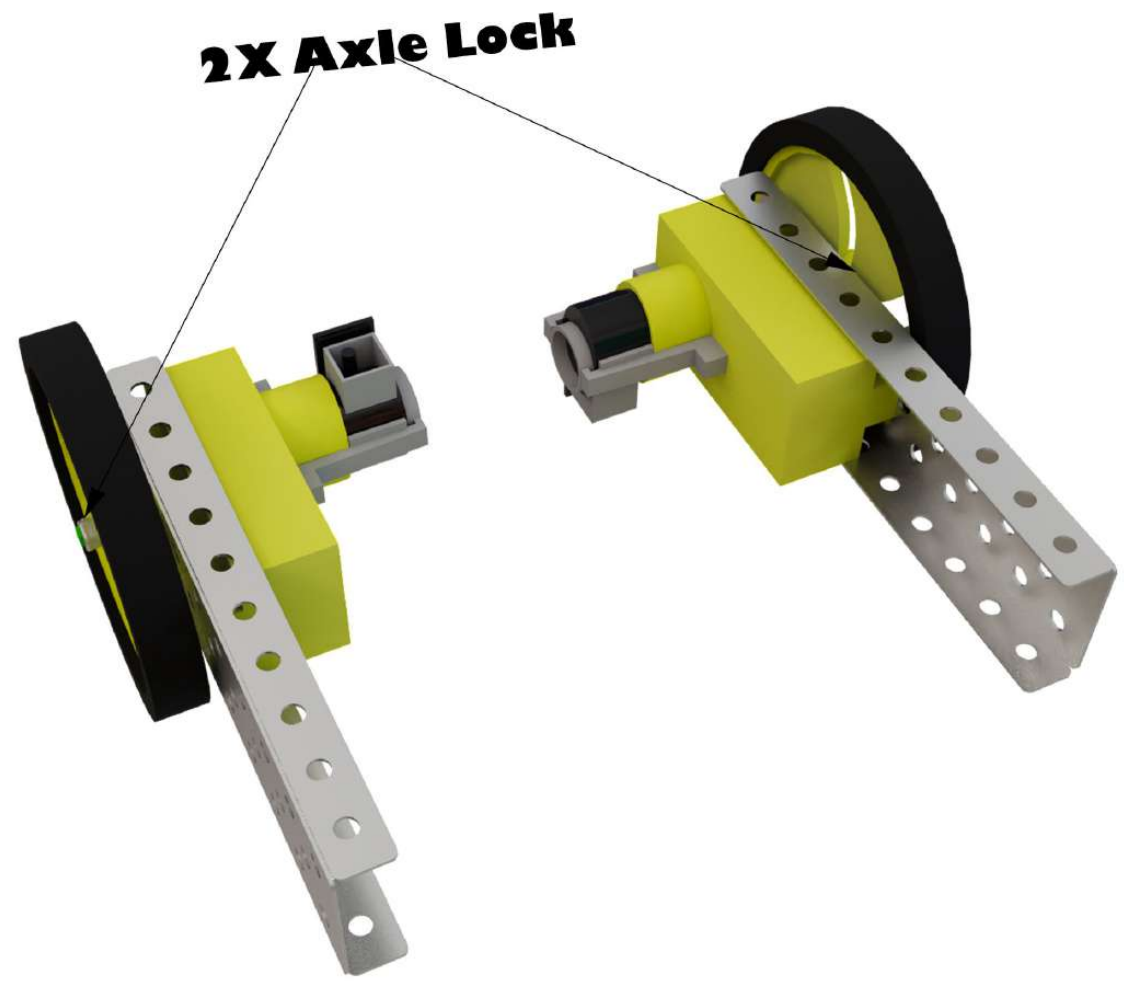




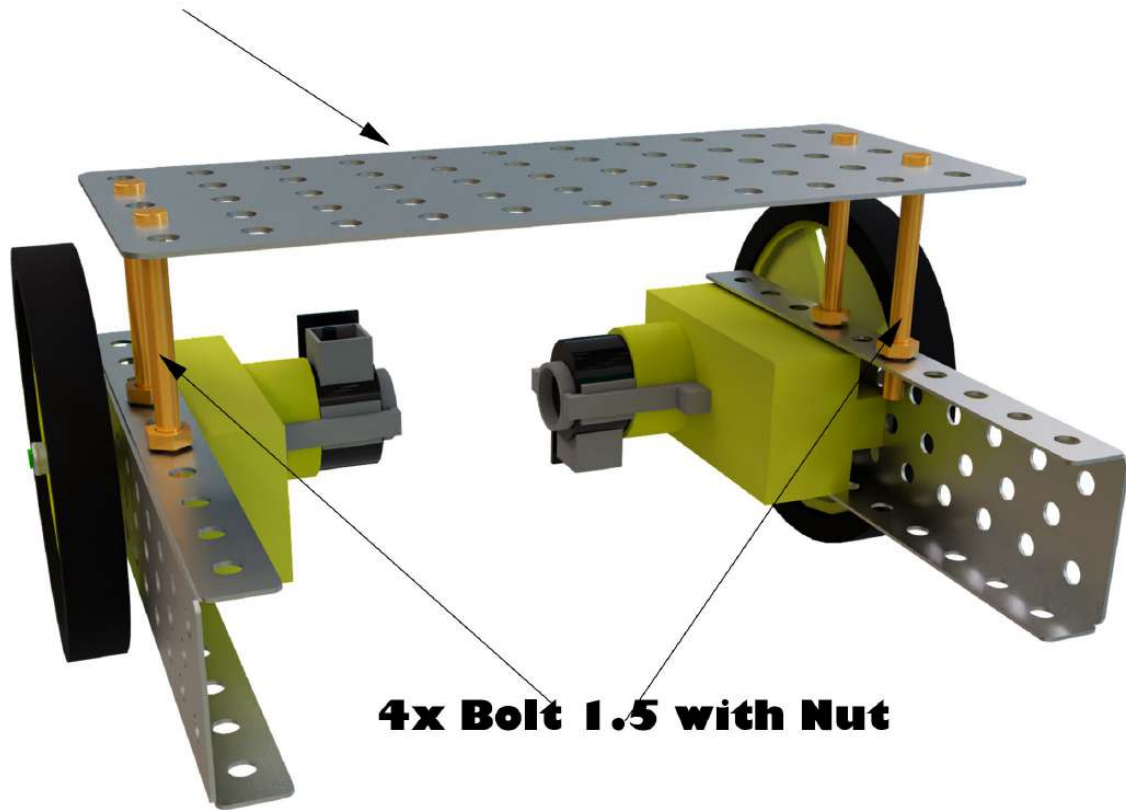


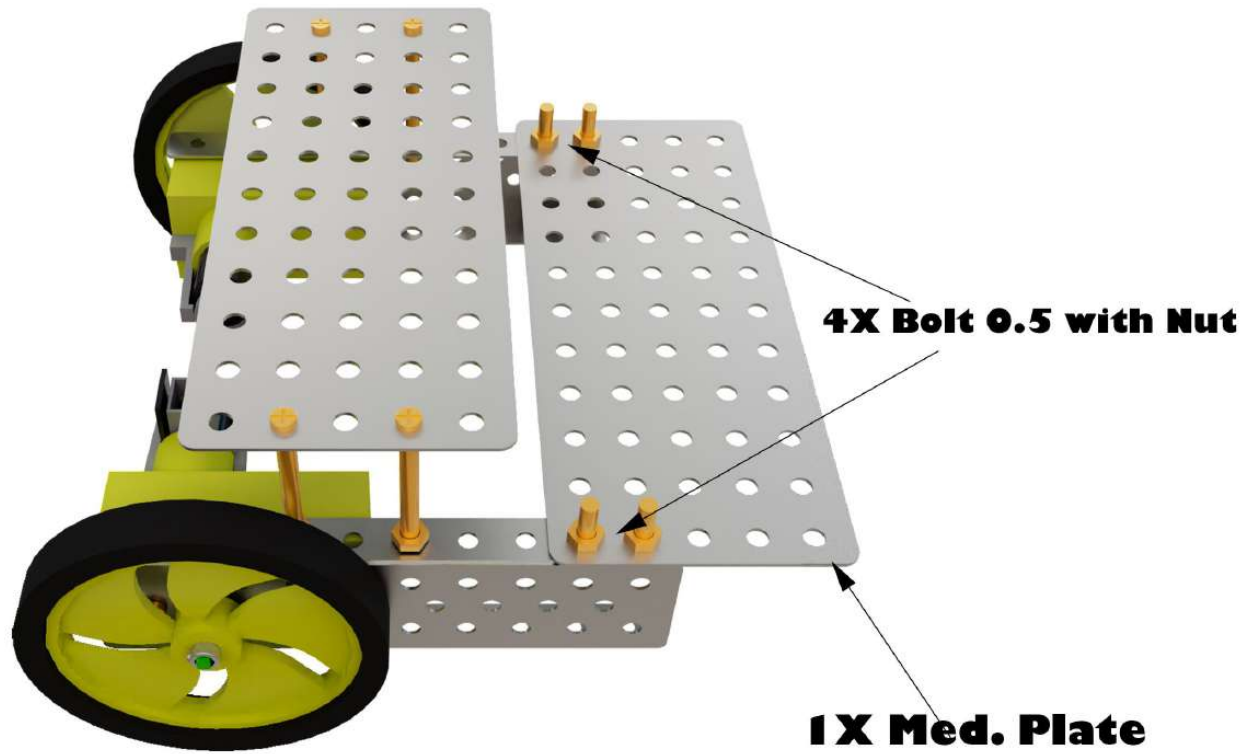
3

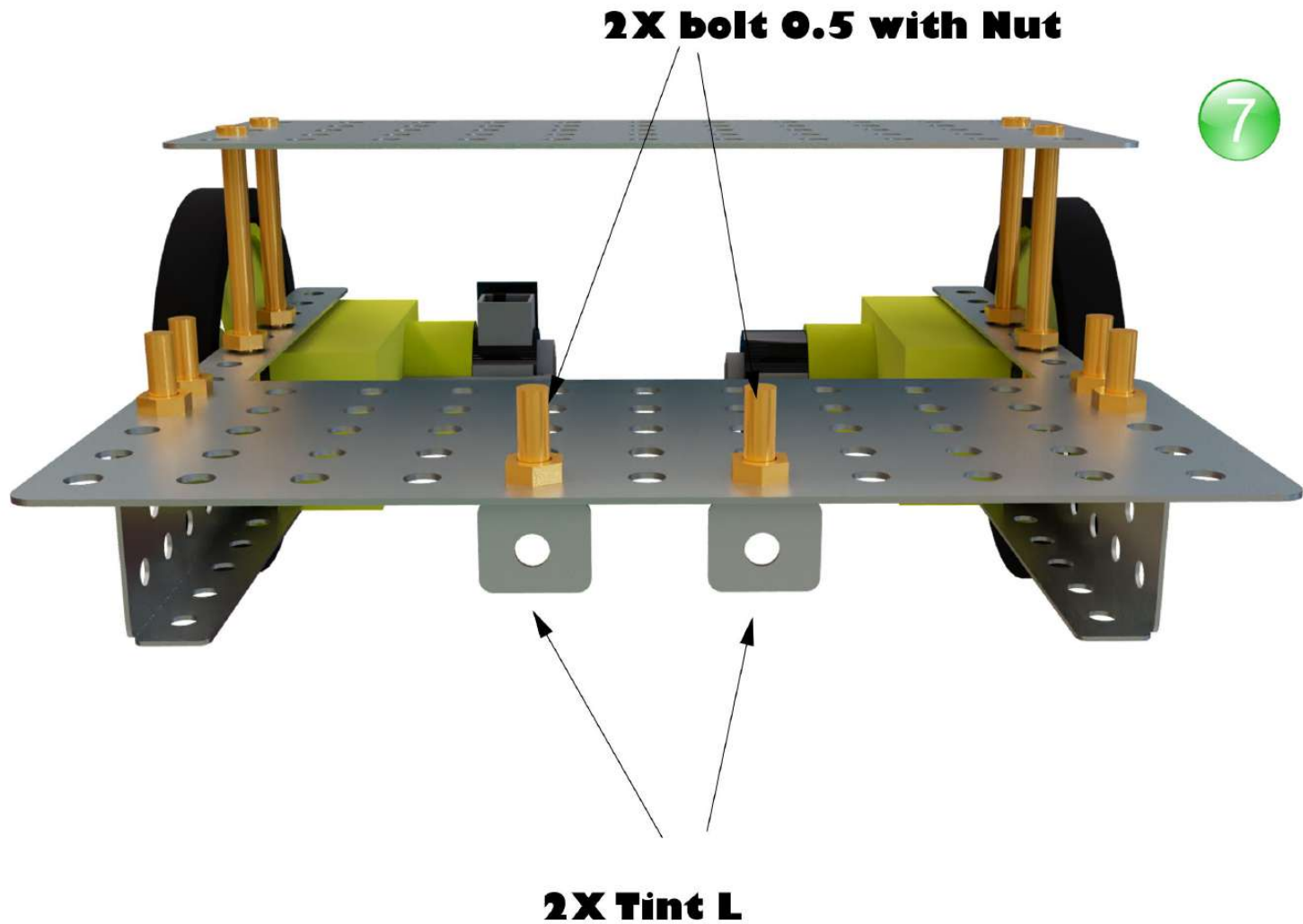




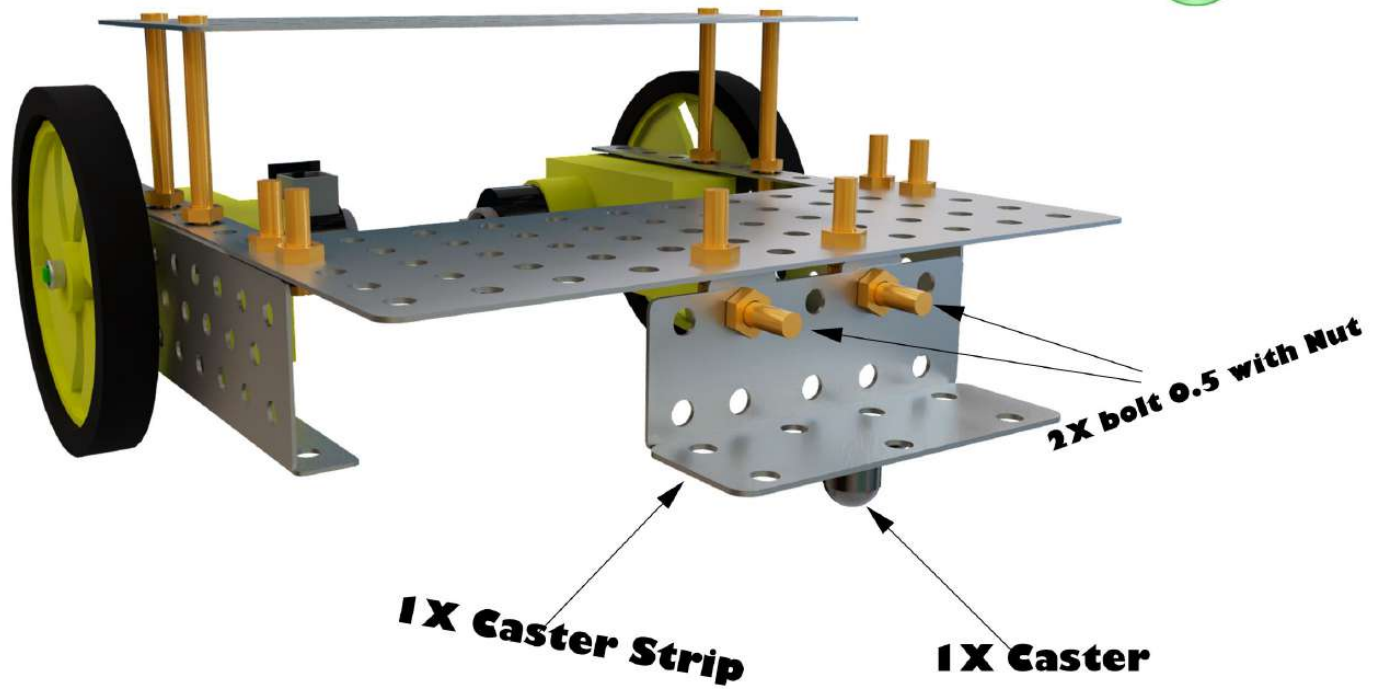
**1 X Med. Plate**

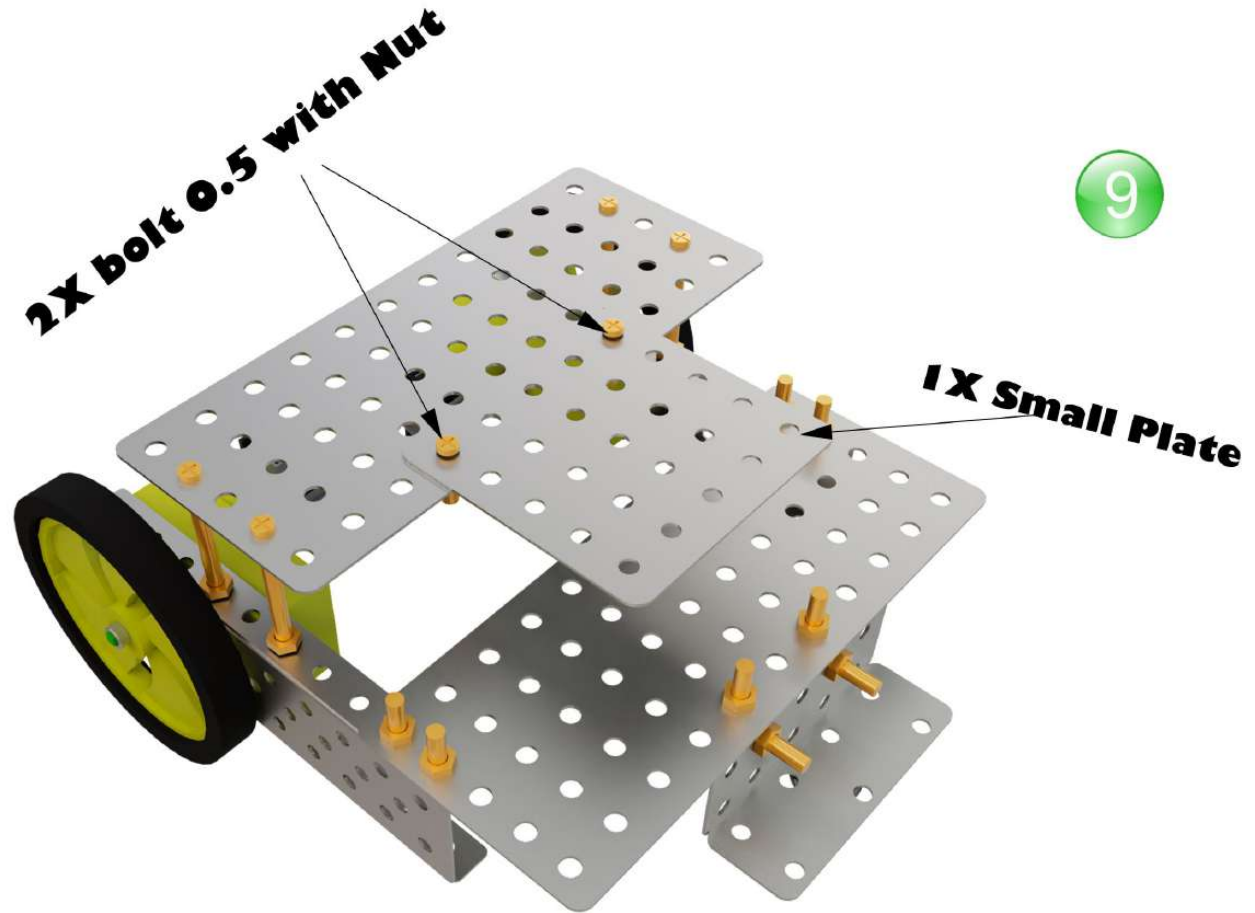






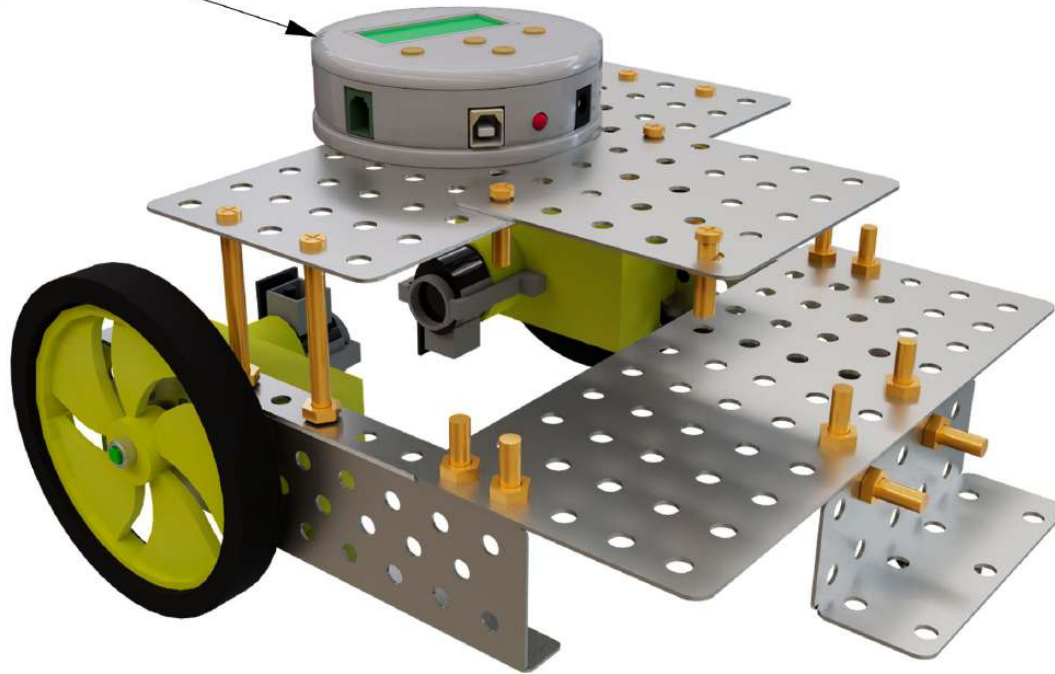






**IX Motor**

10



**2X IR Sensor**

11

