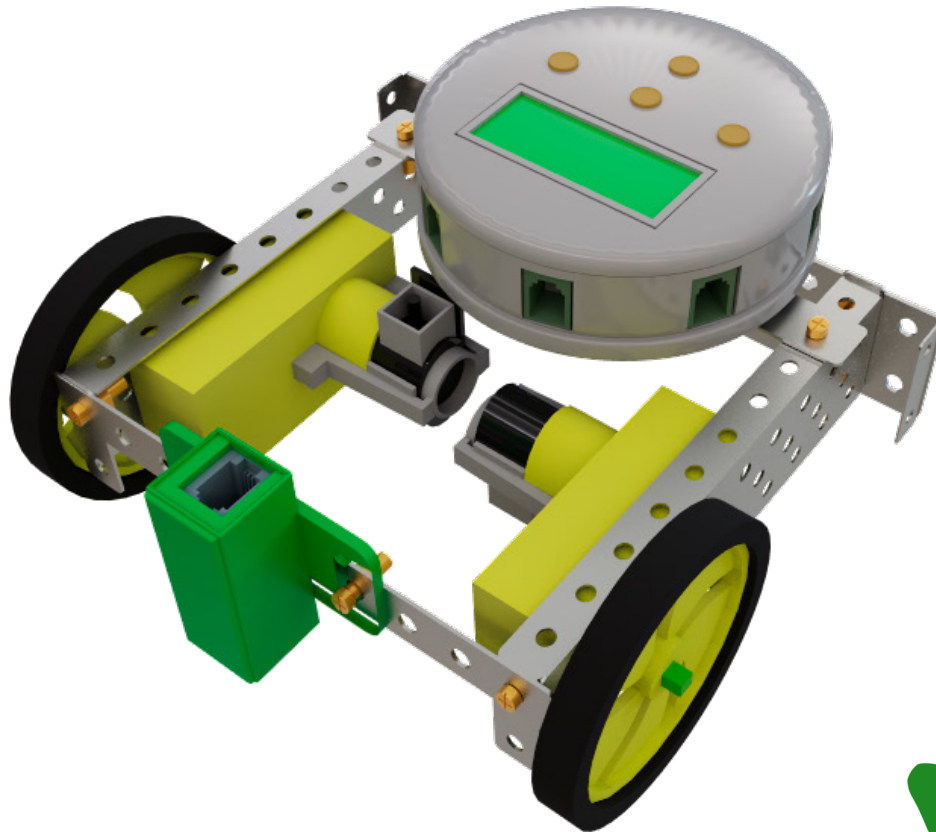


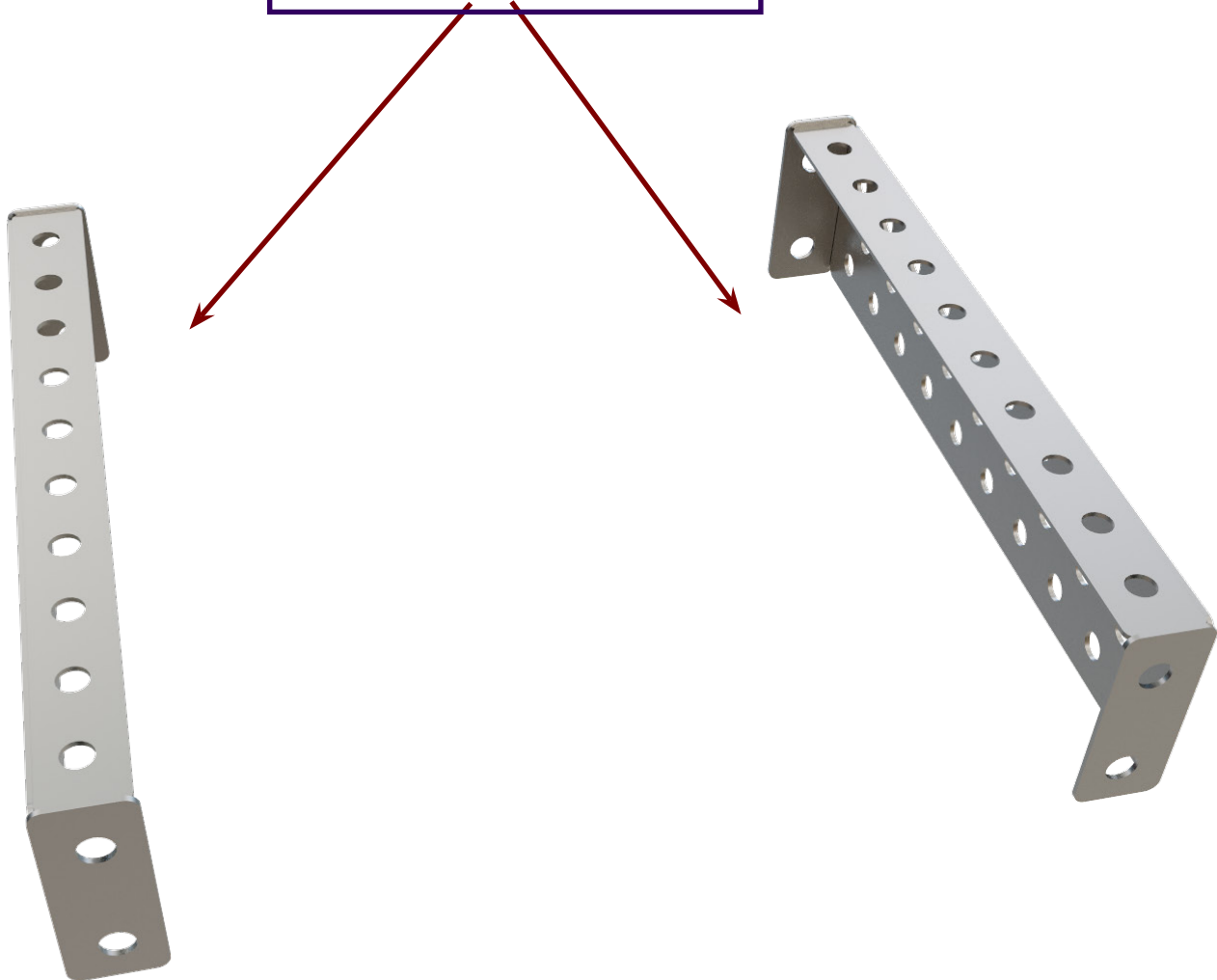
Line Counter

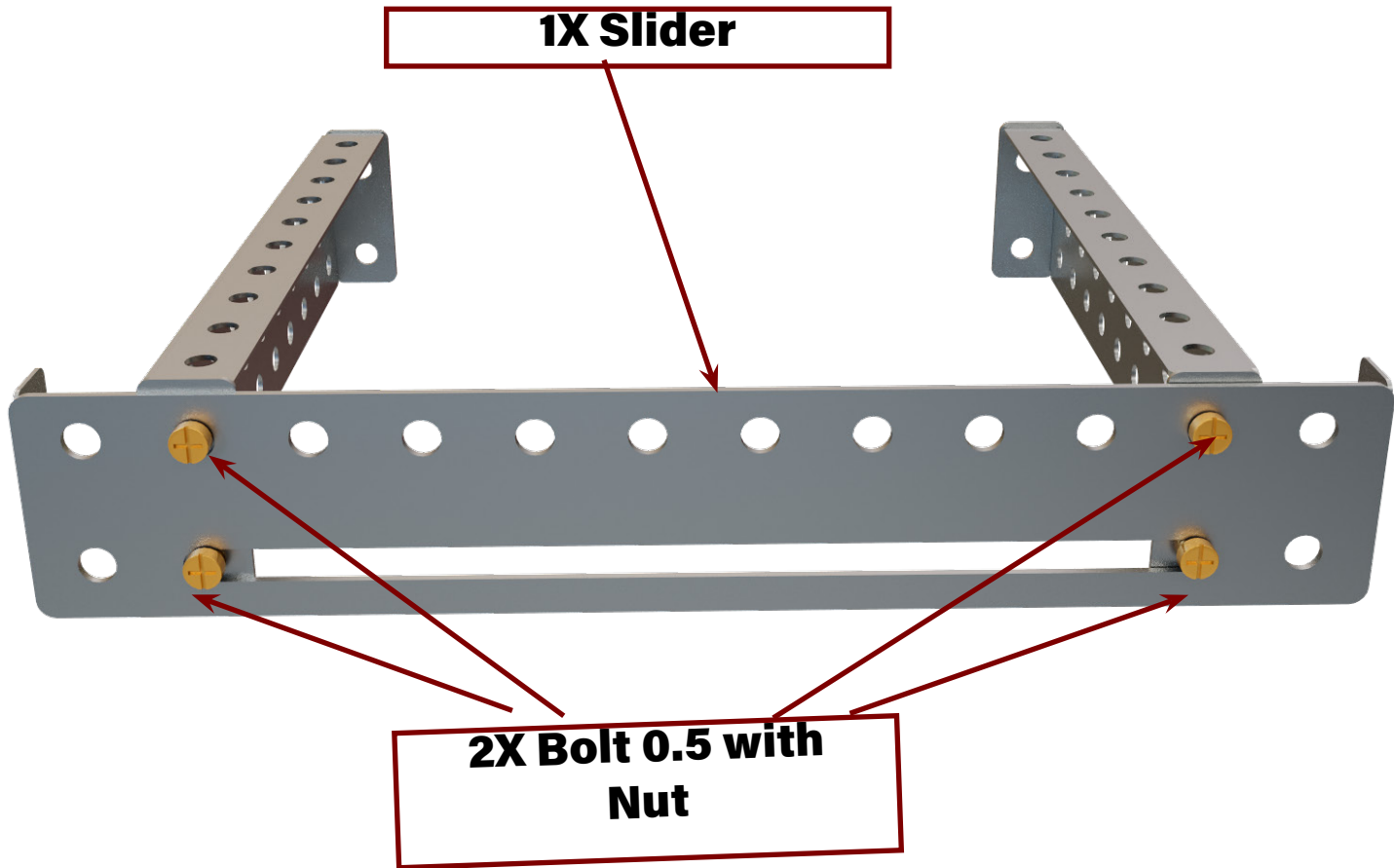


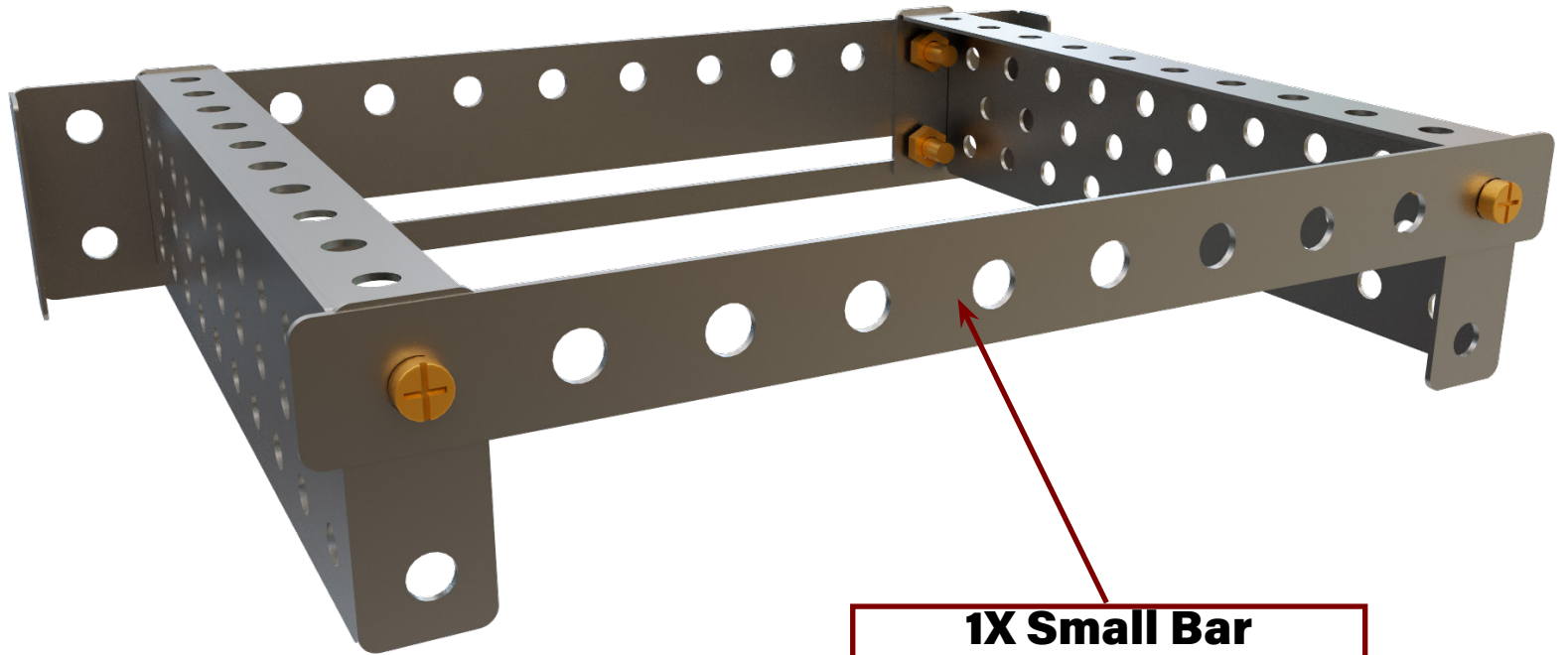
Product of

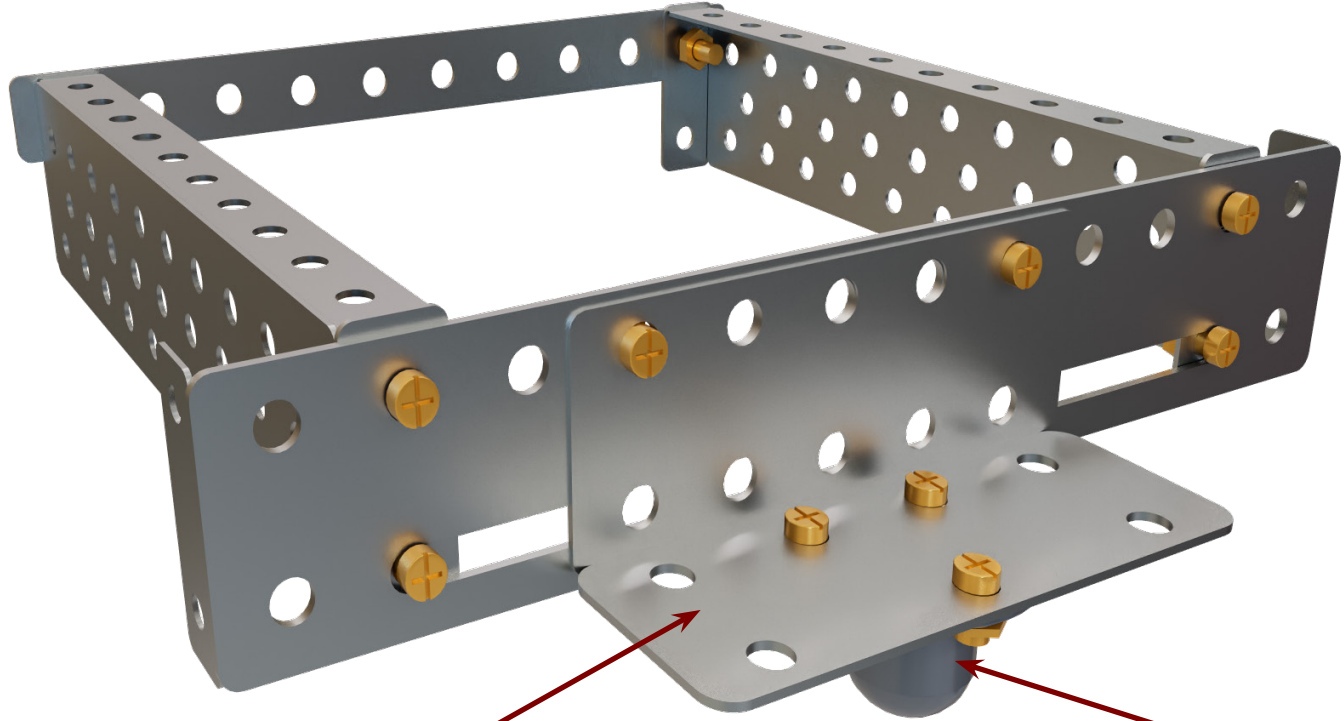


2X L Small Bar



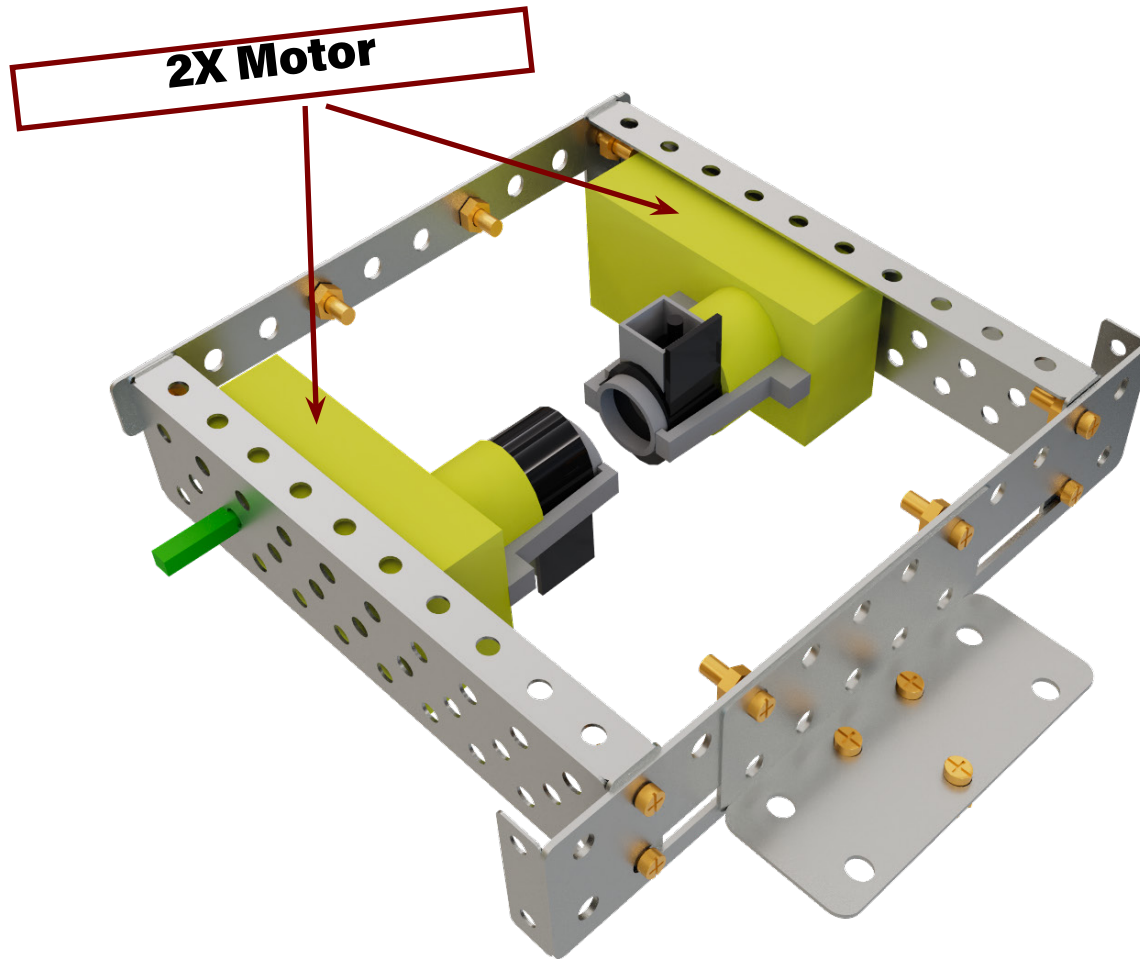


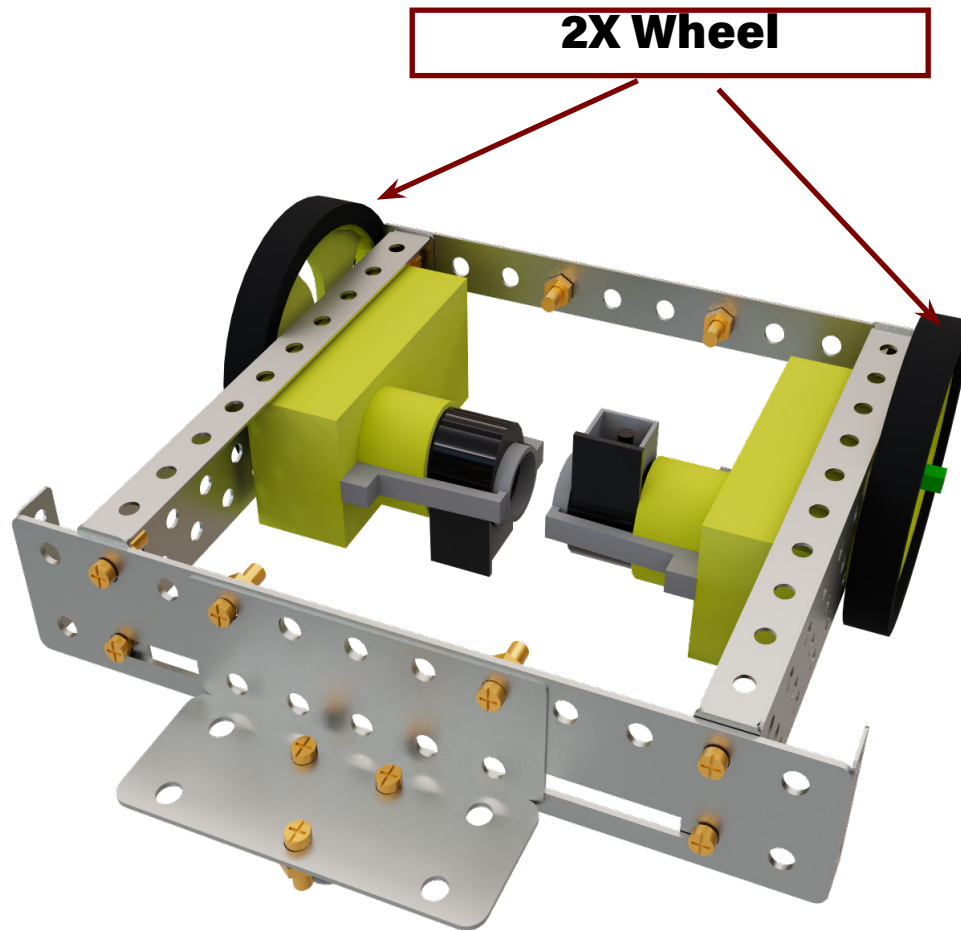


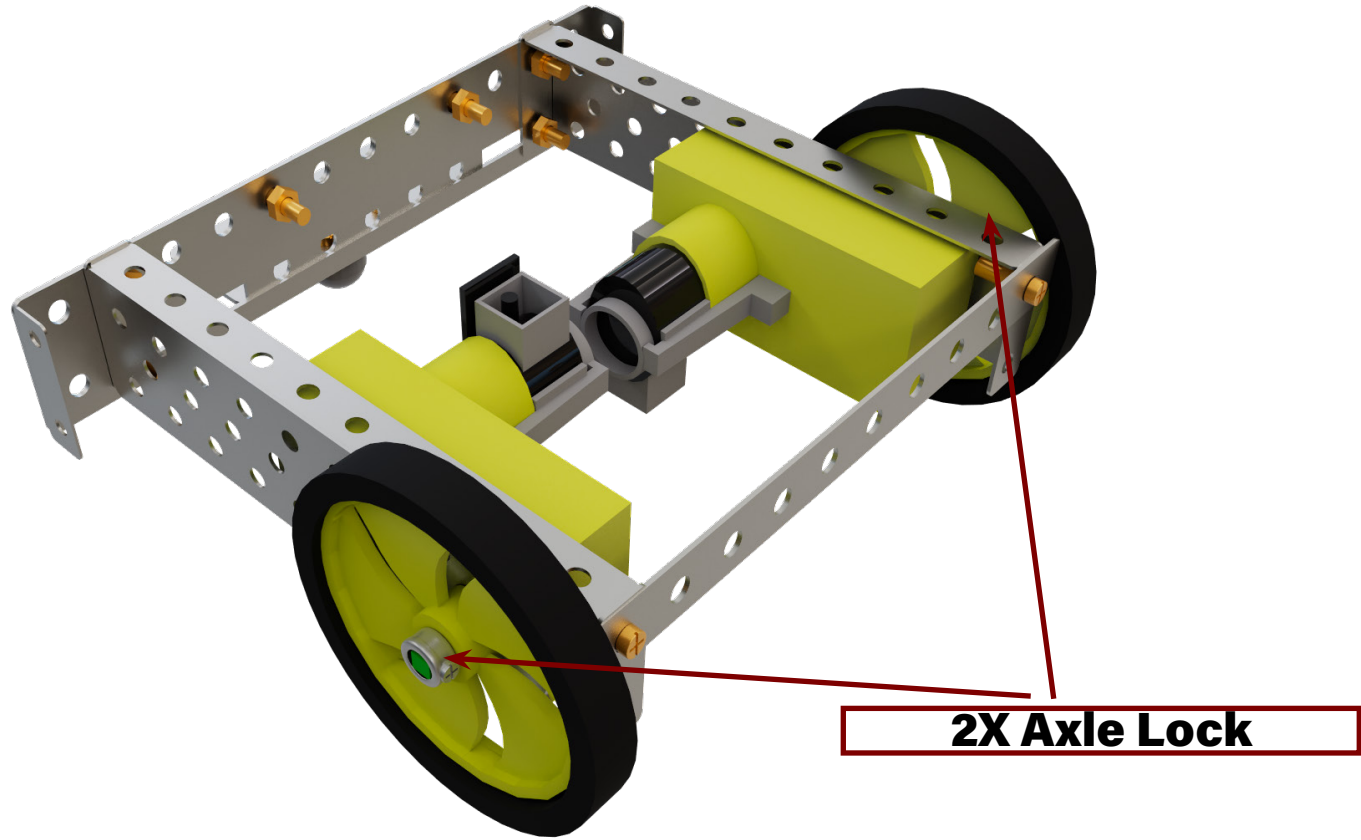


1X Caster Strip

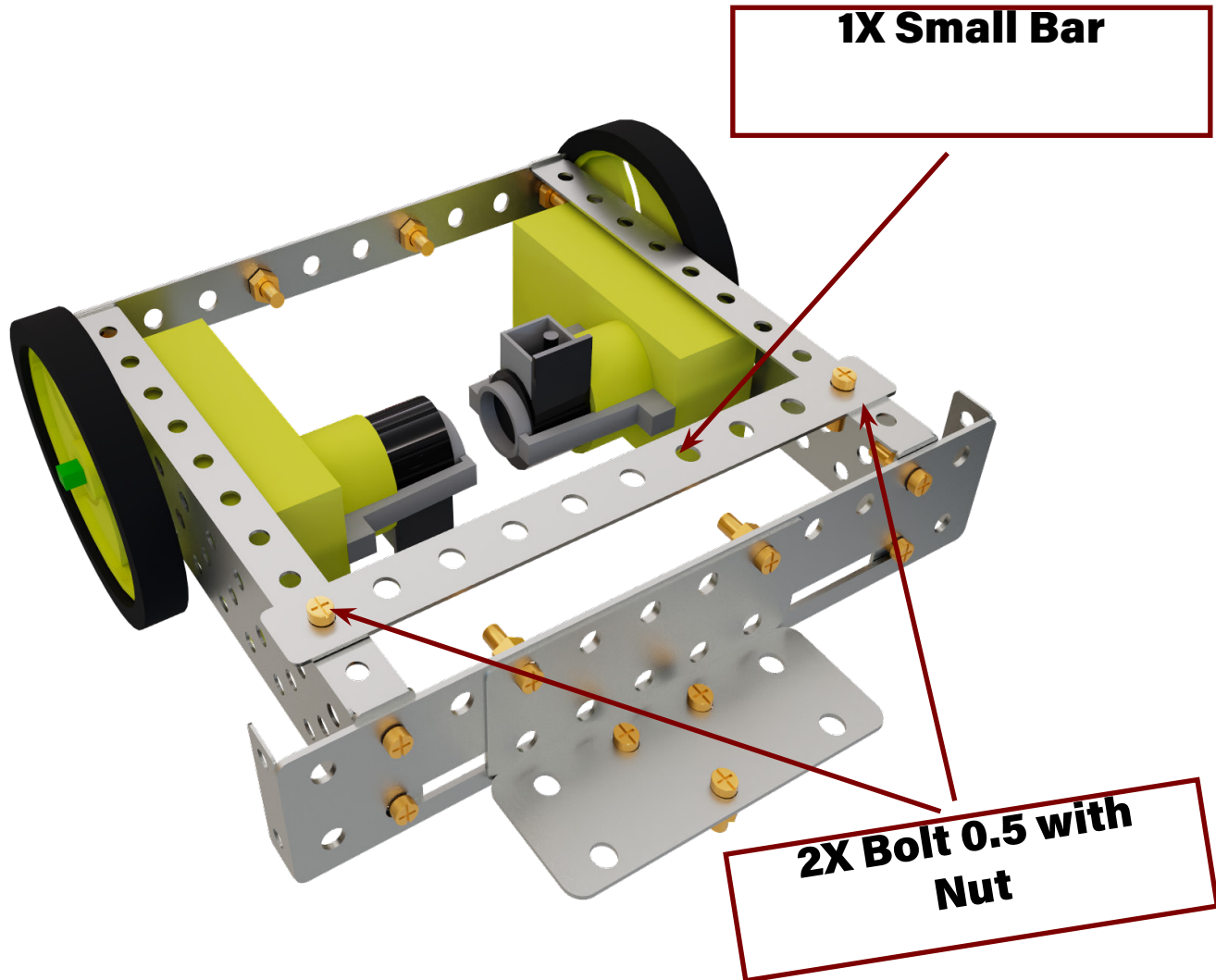
1X Caster

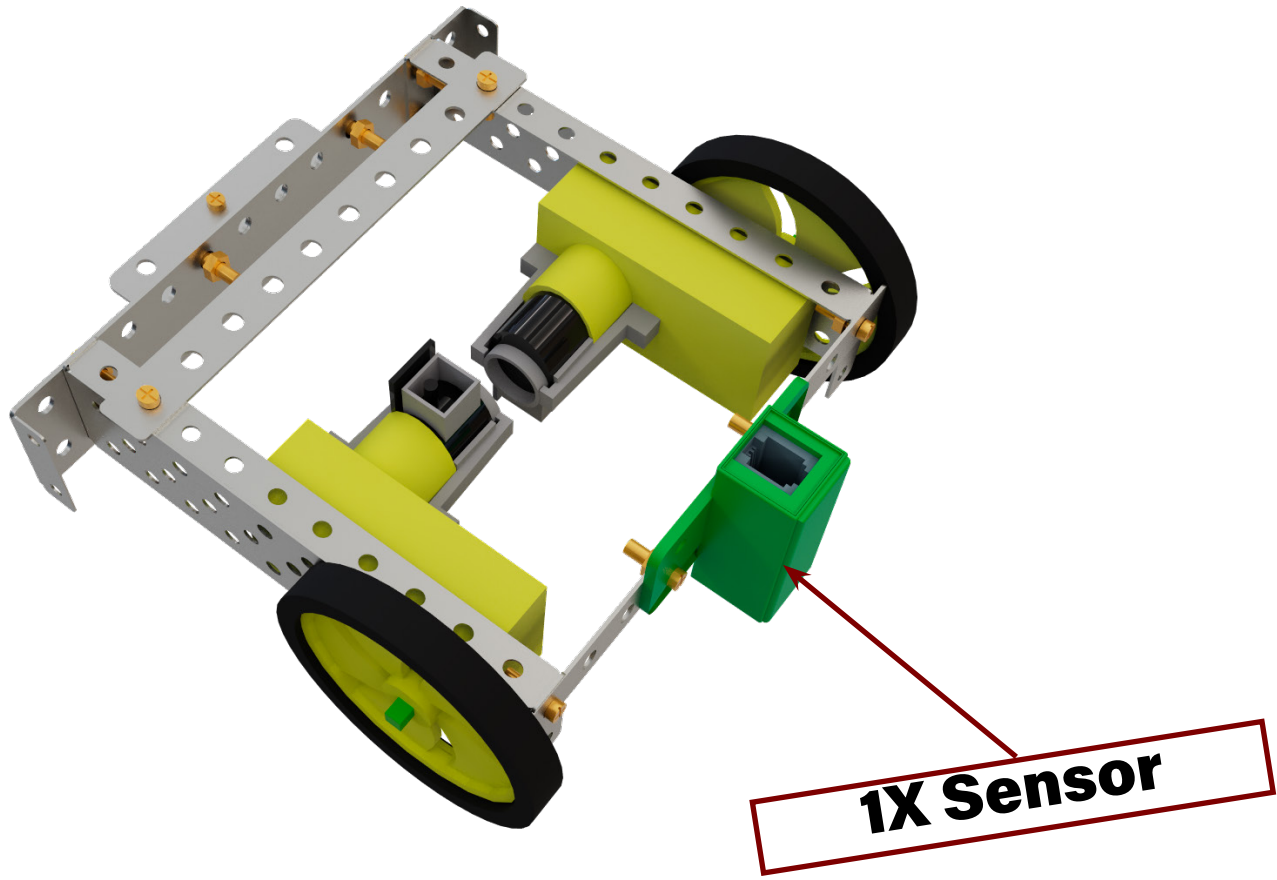






2X Axle Lock





1X Sensor

