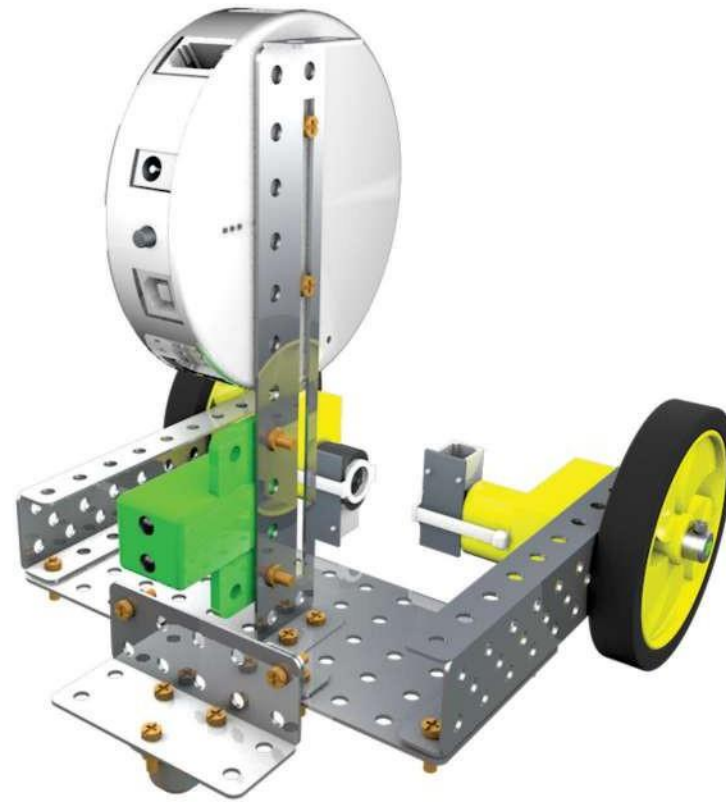
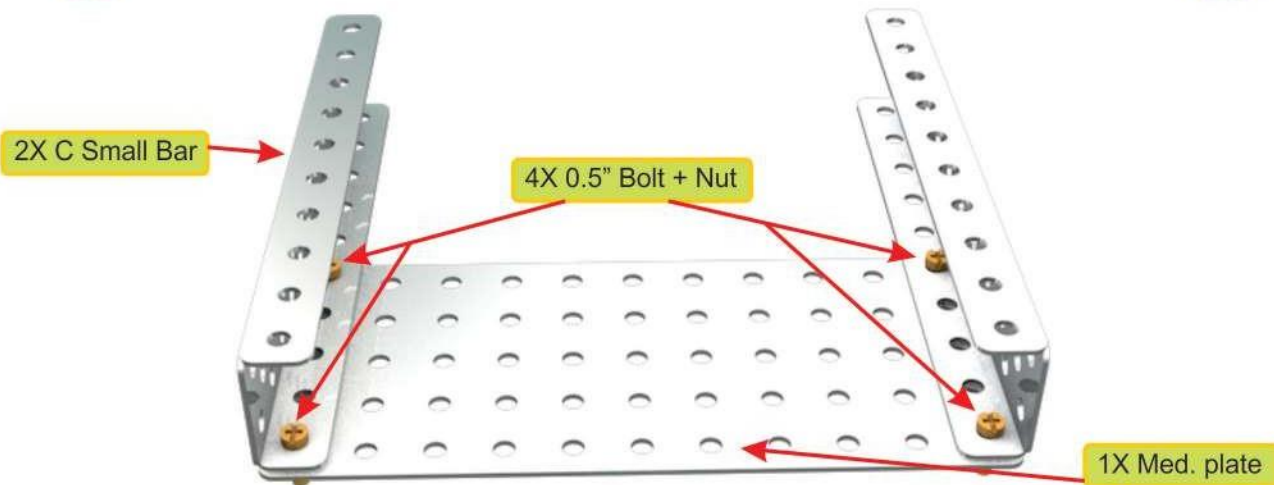


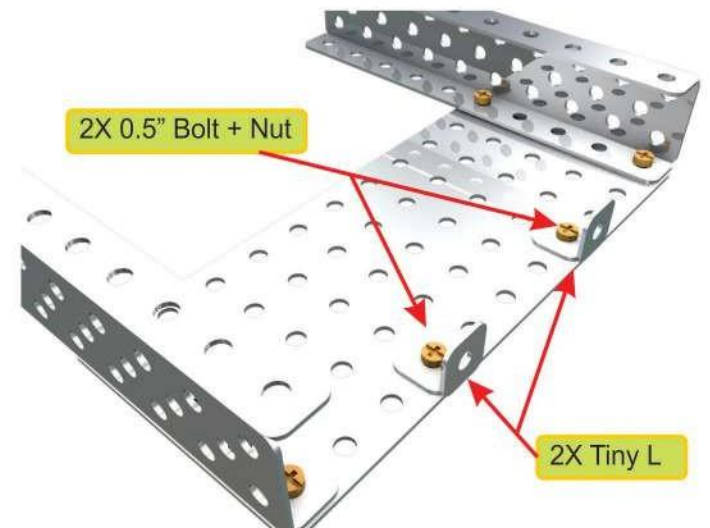
#5 Obstacle Avider



1

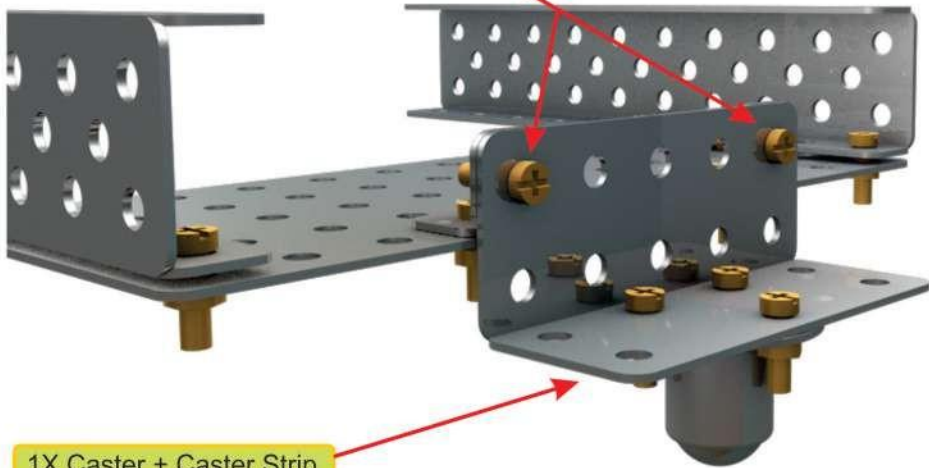


2



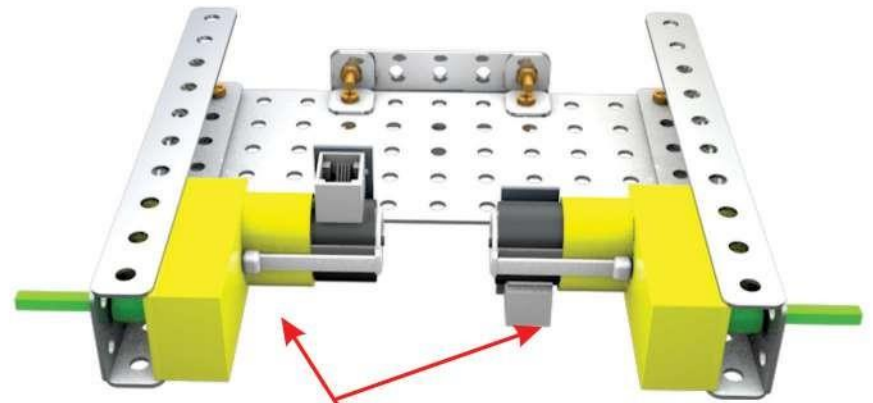
3

2X 0.5" Bolt + Nut



1X Caster + Caster Strip

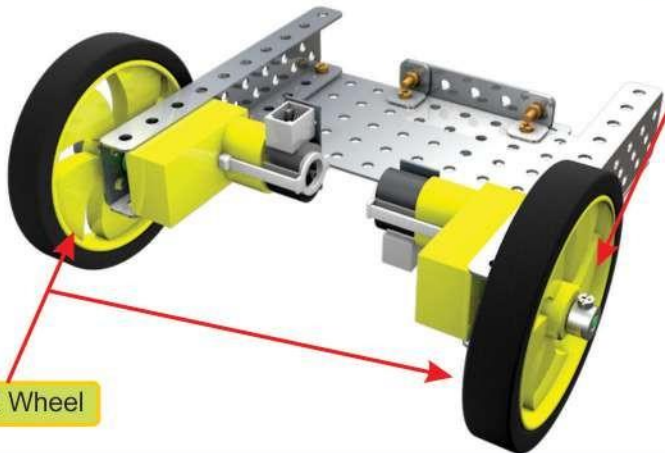
4



2X Motor

5

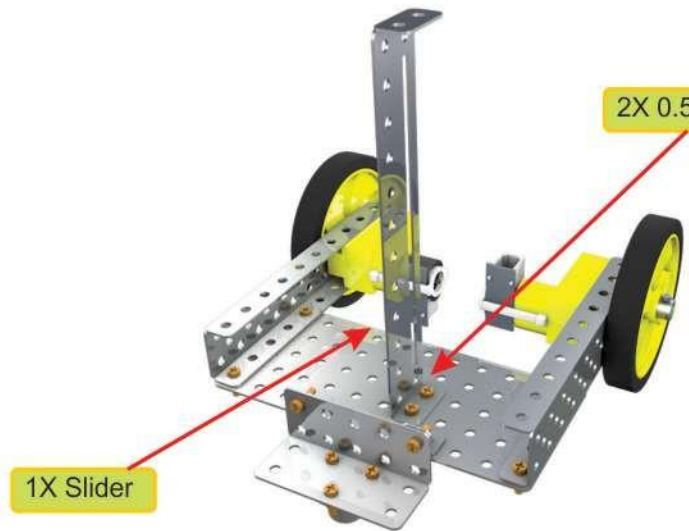
2X Axle Lock



2X Wheel

6

2X 0.5" Bolt + Nut

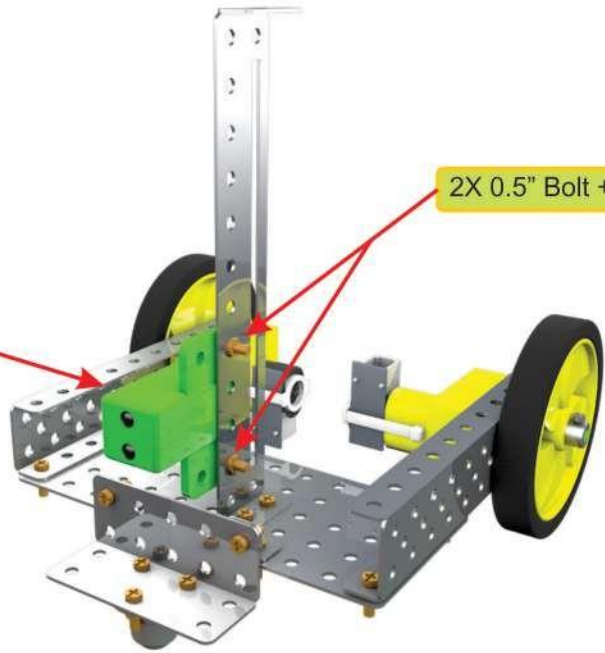


1X Slider

7

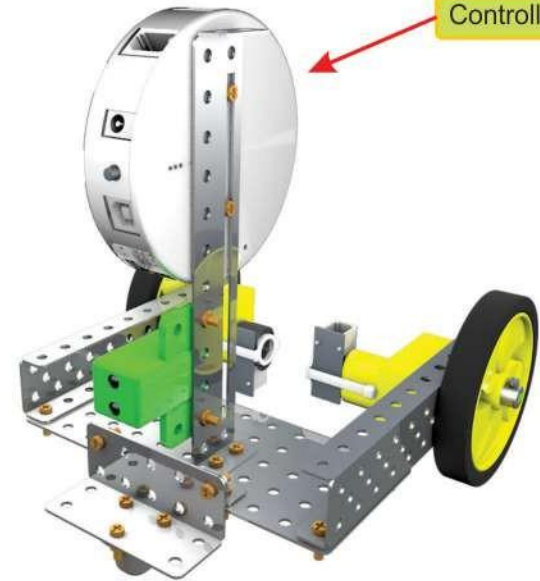
IR Sensor

2X 0.5" Bolt + Nut



8

Controller



What did you learn?



Tutorial Link

https://www.youtube.com/embed/uPzI3Rj8_So?si=I-KUD0yg2P7fHah4