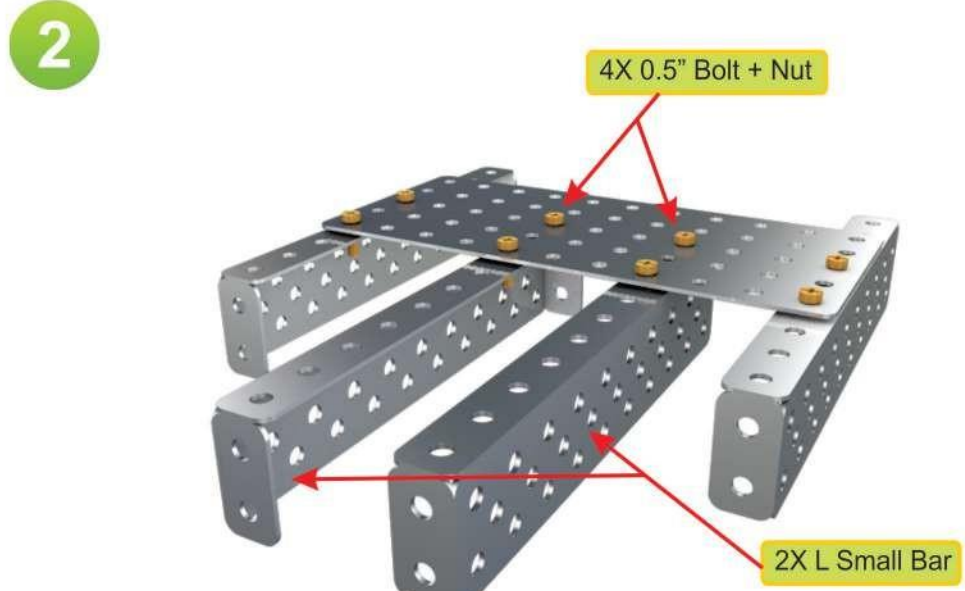
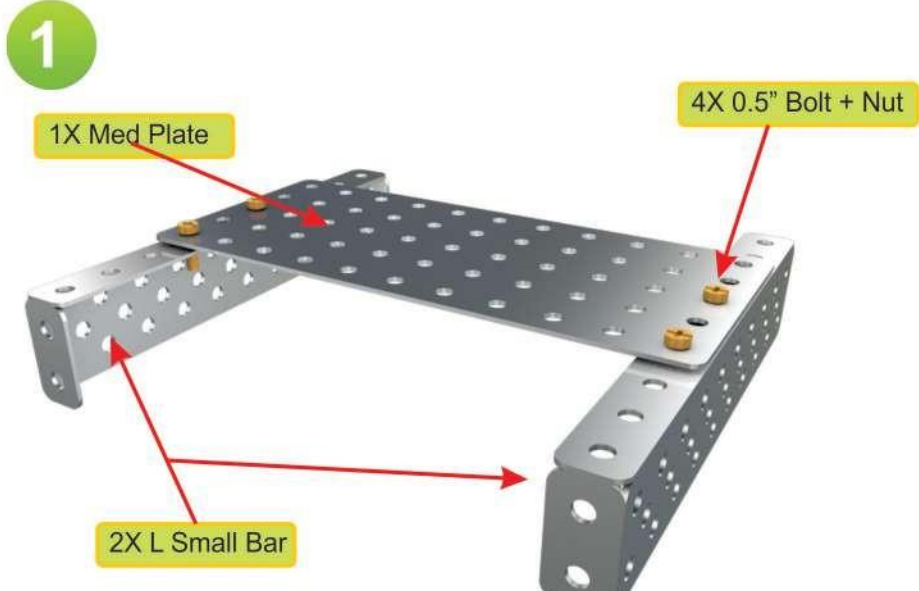
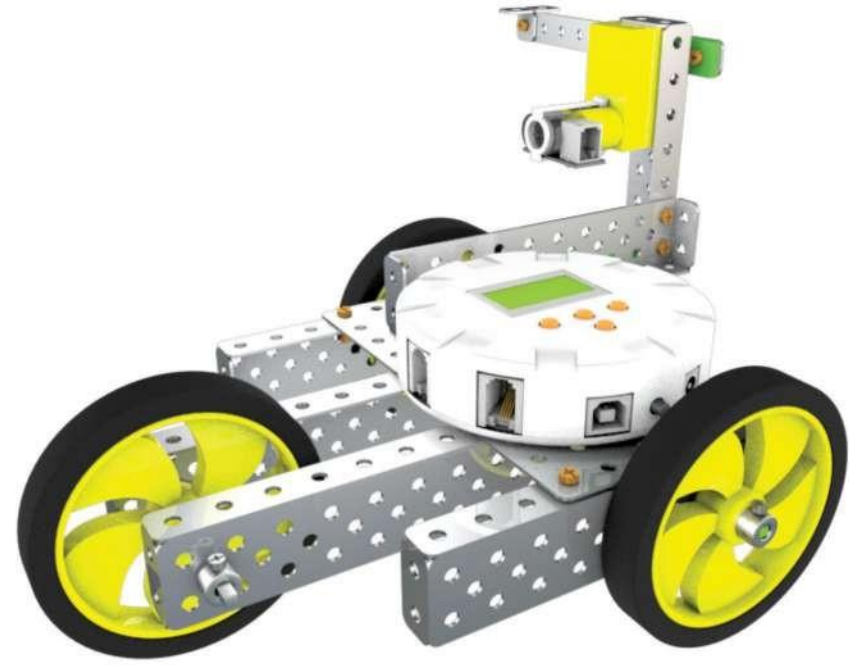


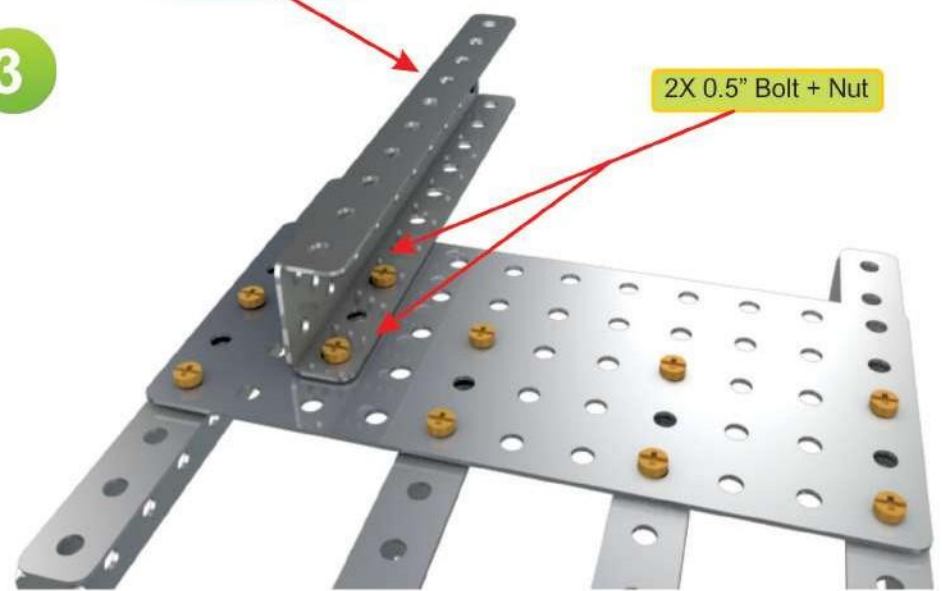
## #7 Seperator



3

1X C Small Bar

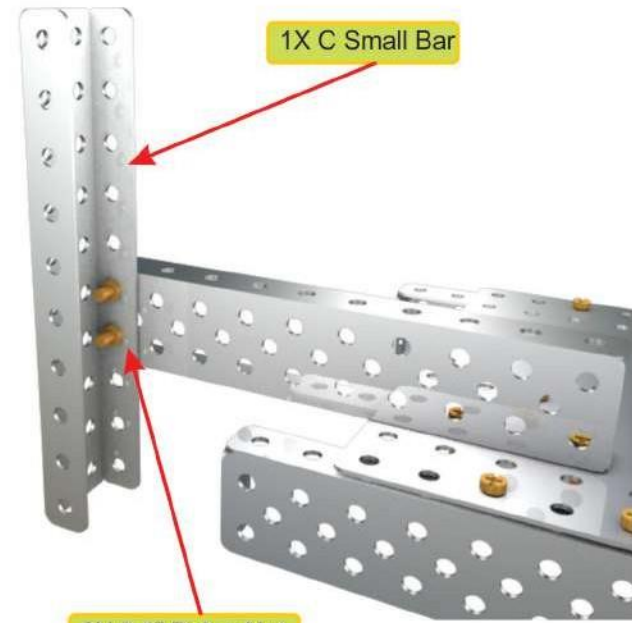
2X 0.5" Bolt + Nut



4

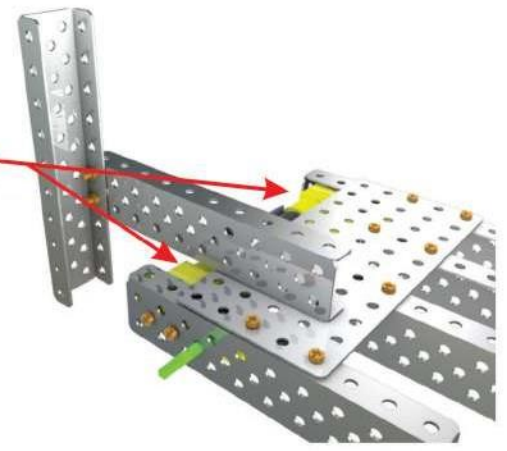
1X C Small Bar

2X 0.5" Bolt + Nut



5

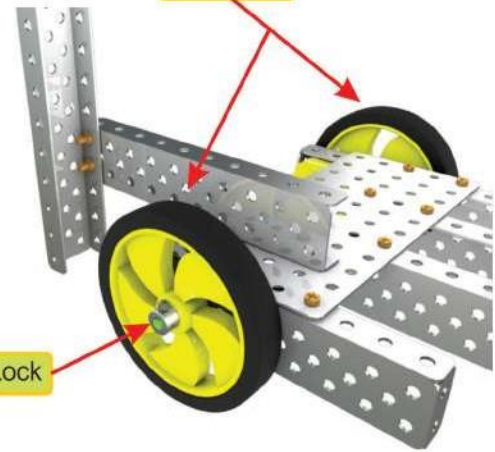
2X Motor

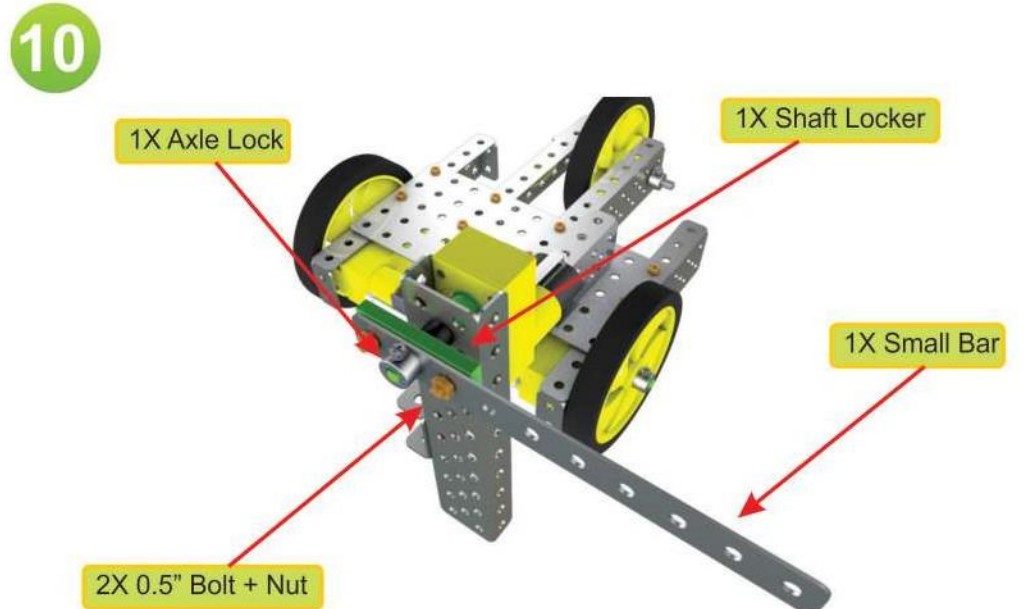
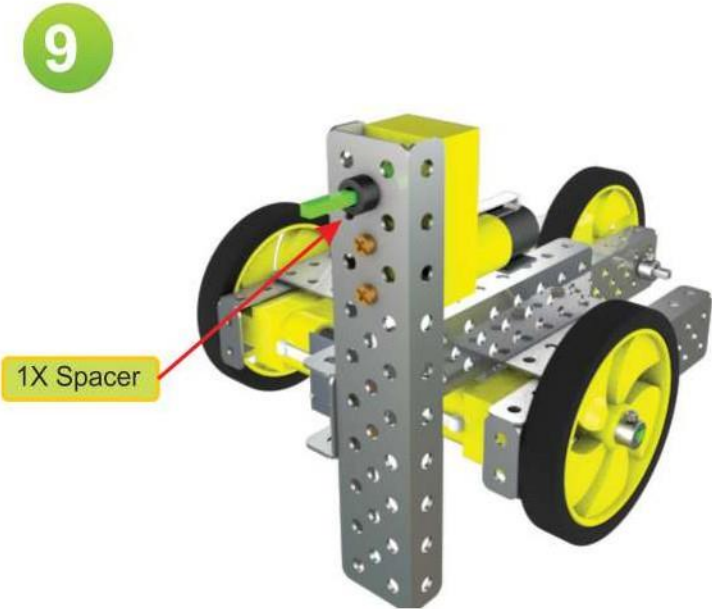
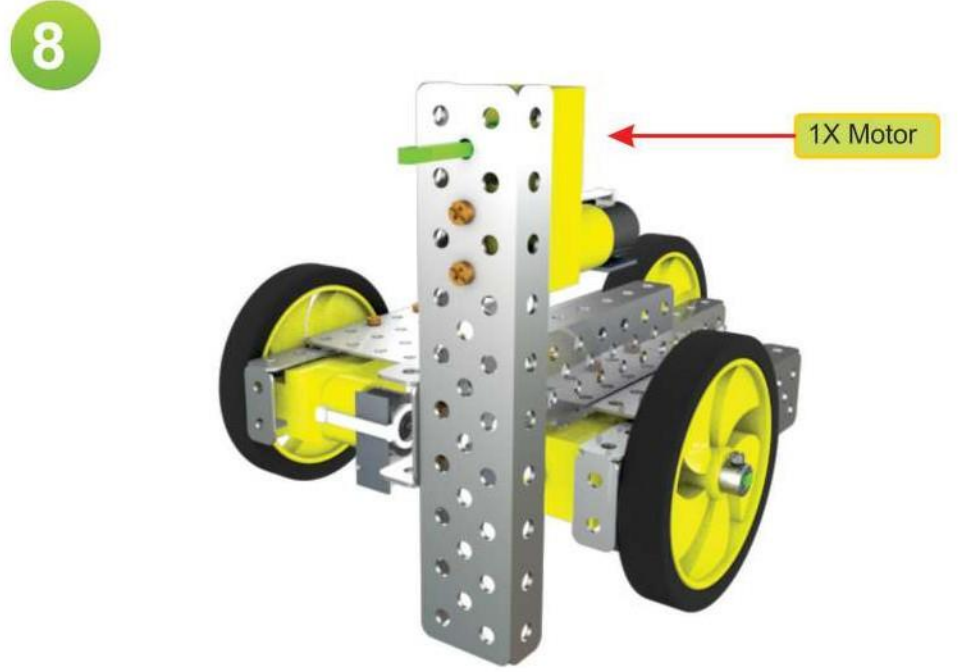
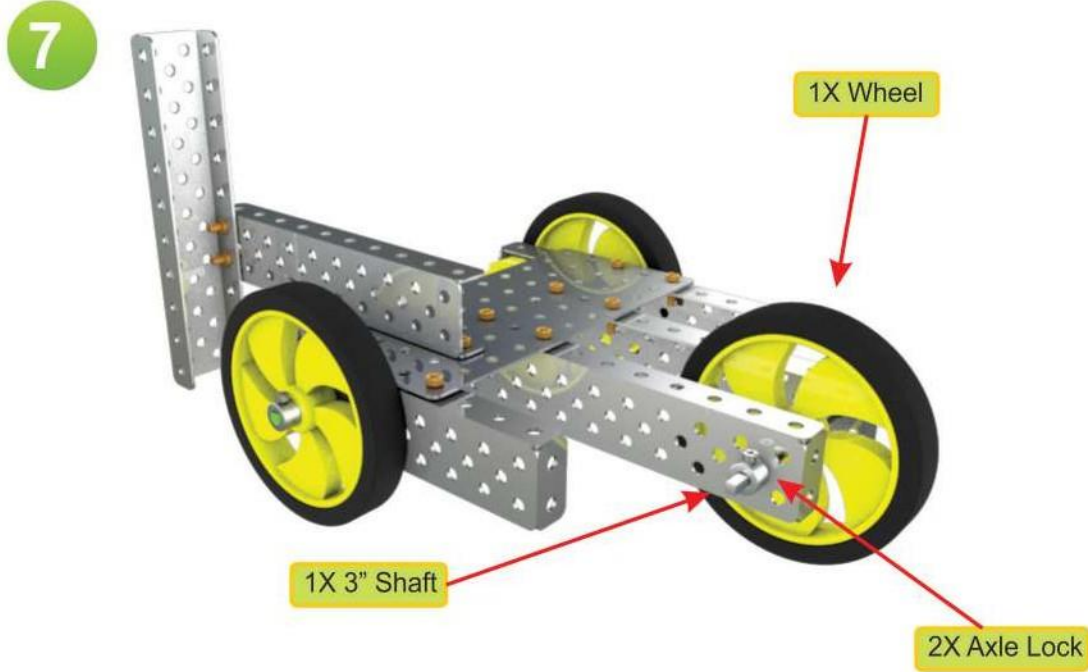


6

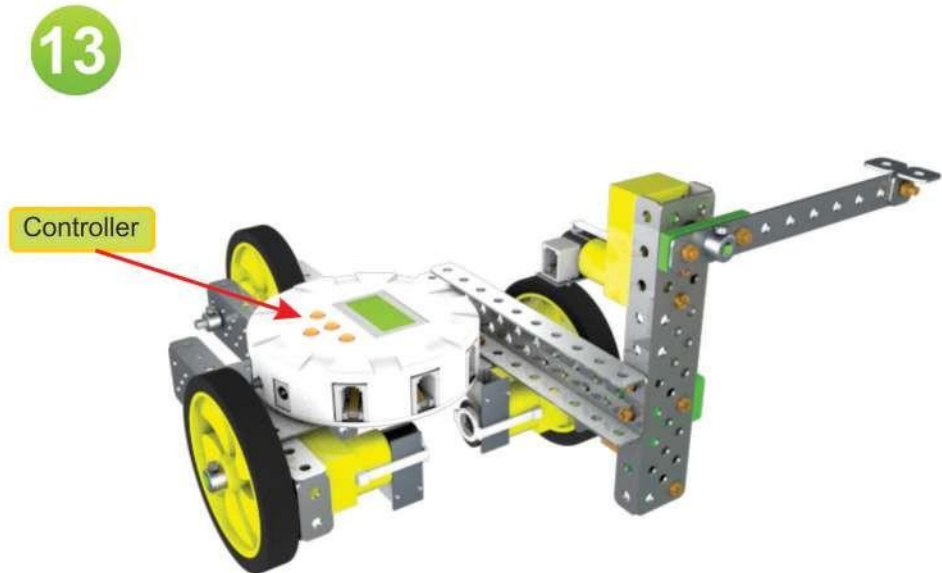
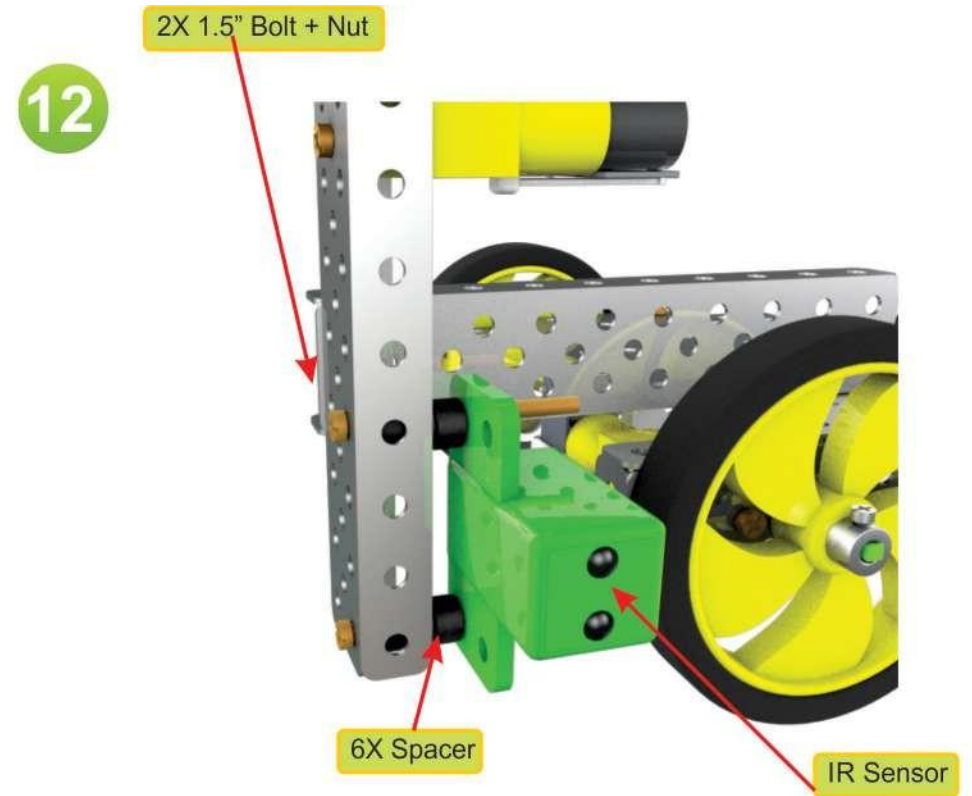
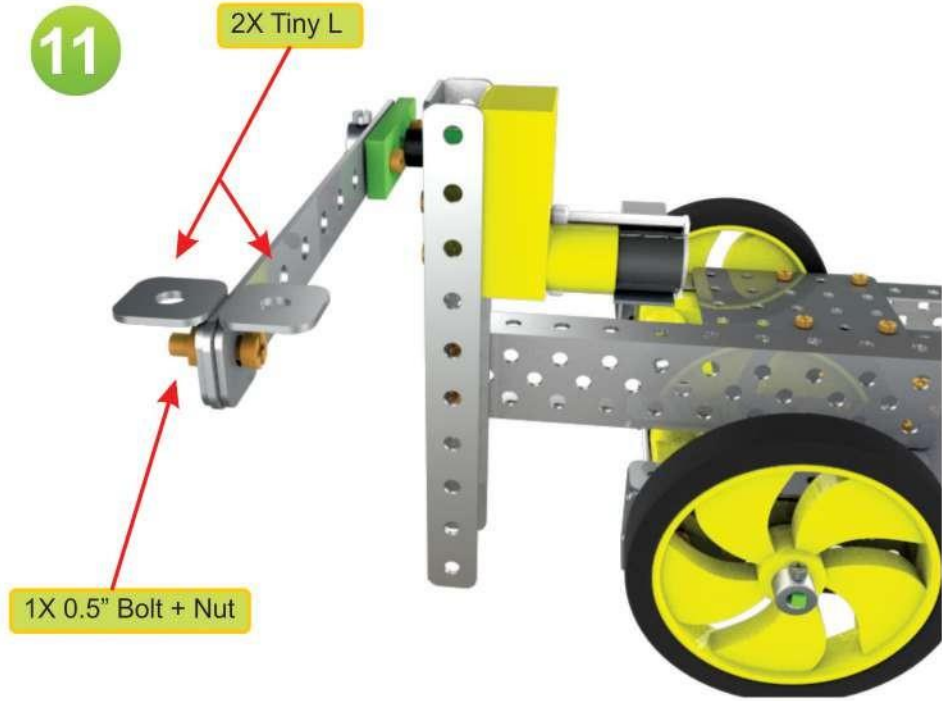
2X Wheel

2X Axle Lock

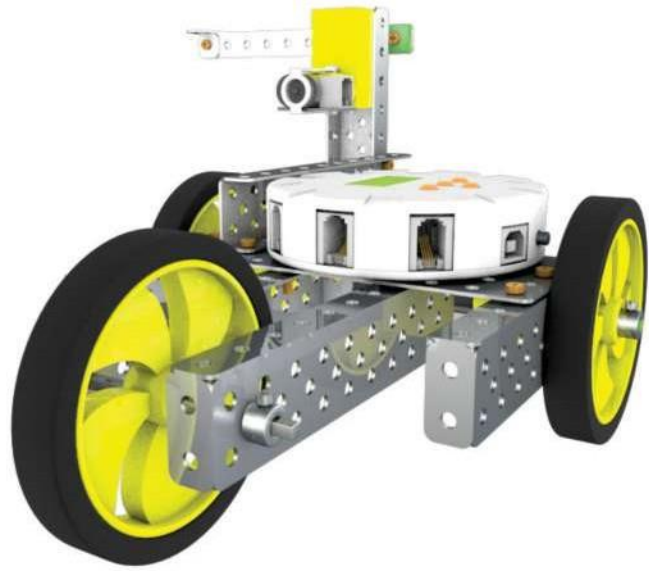








15



What did you learn?

---

---

---

---



Tutorial Link

[https://www.youtube.com/embed/lnxxy3awcr0?si=H\\_7cDihmMGK7fN6q](https://www.youtube.com/embed/lnxxy3awcr0?si=H_7cDihmMGK7fN6q)