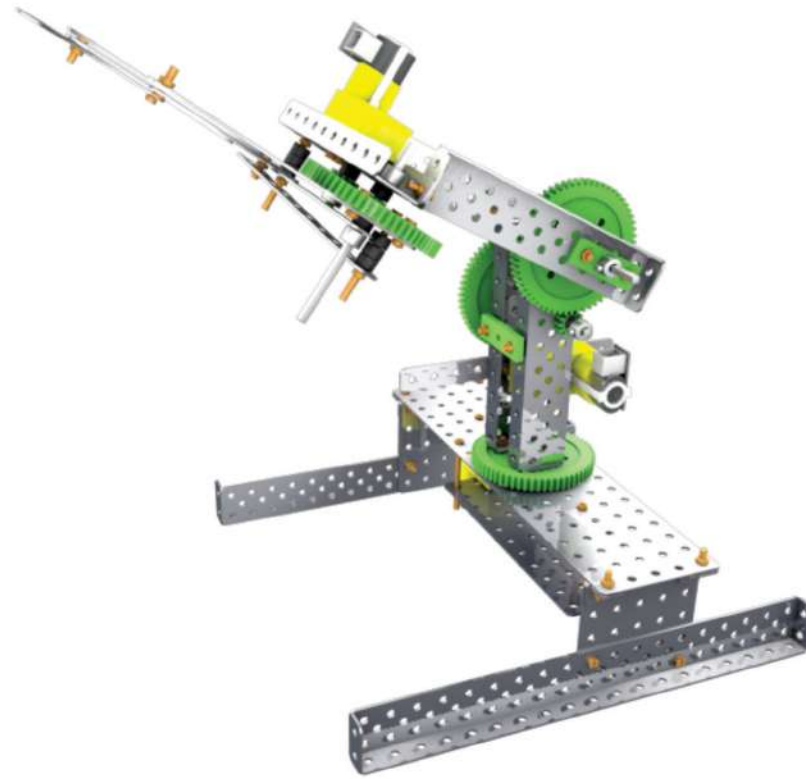
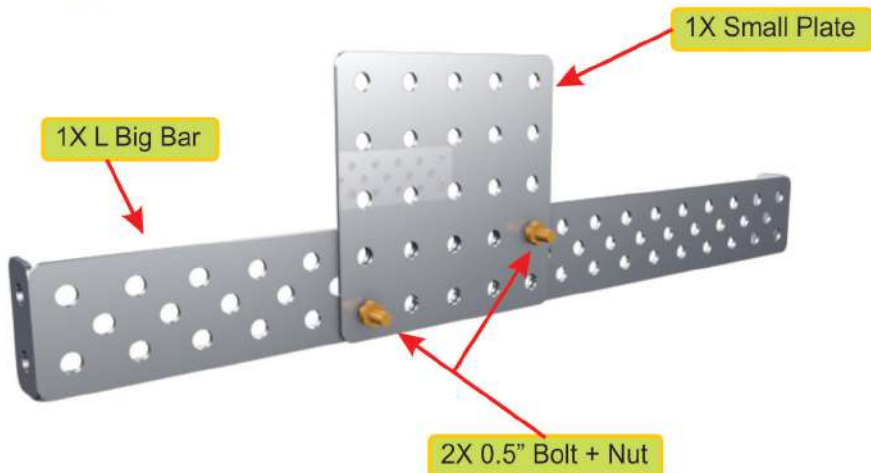


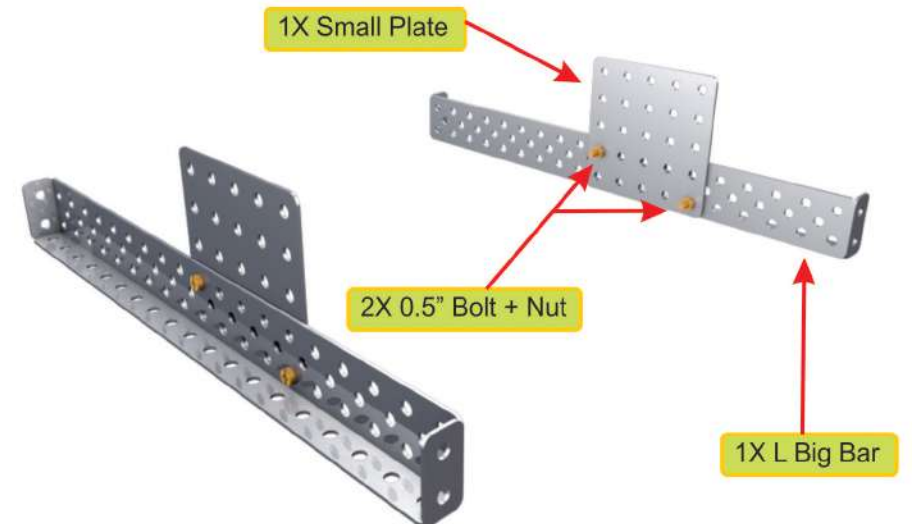
#1 3D Robotic Arm

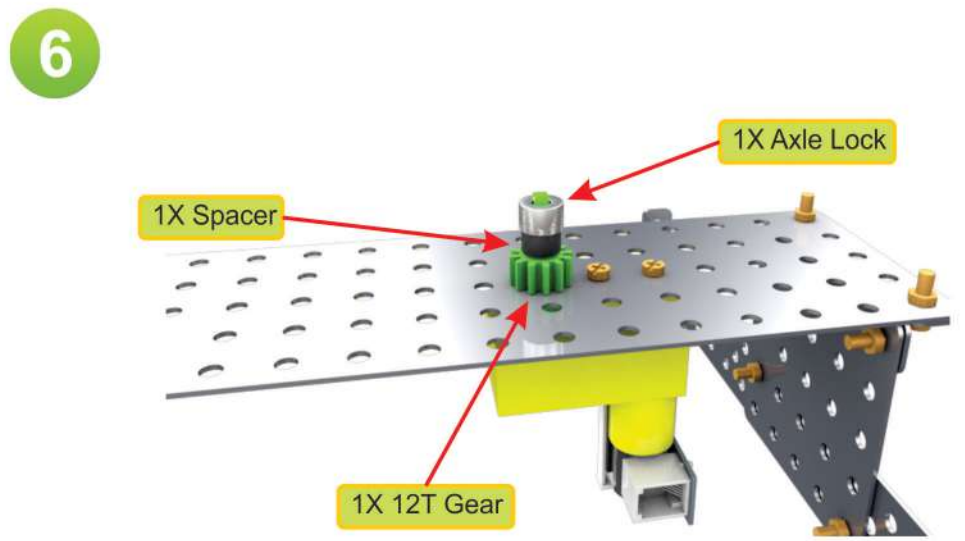
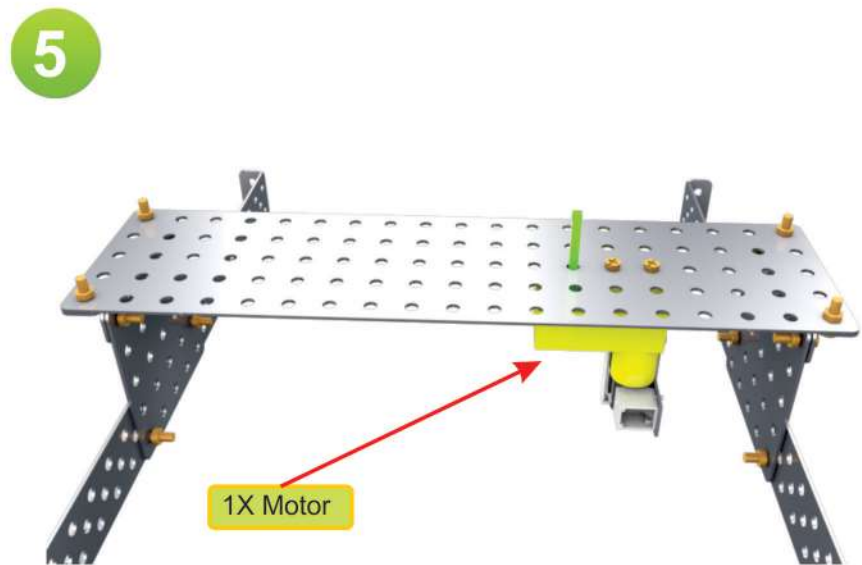
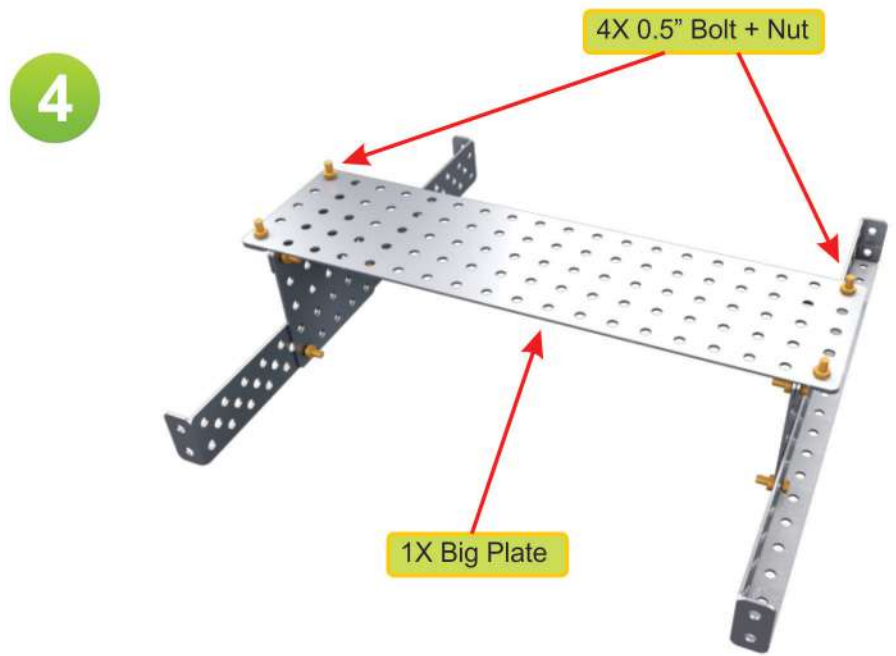
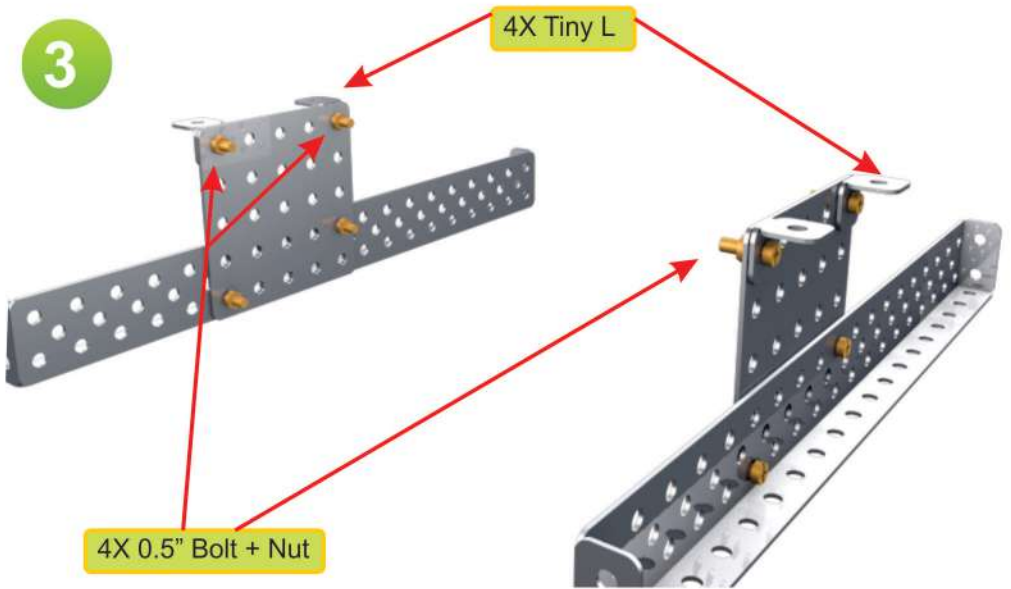


1

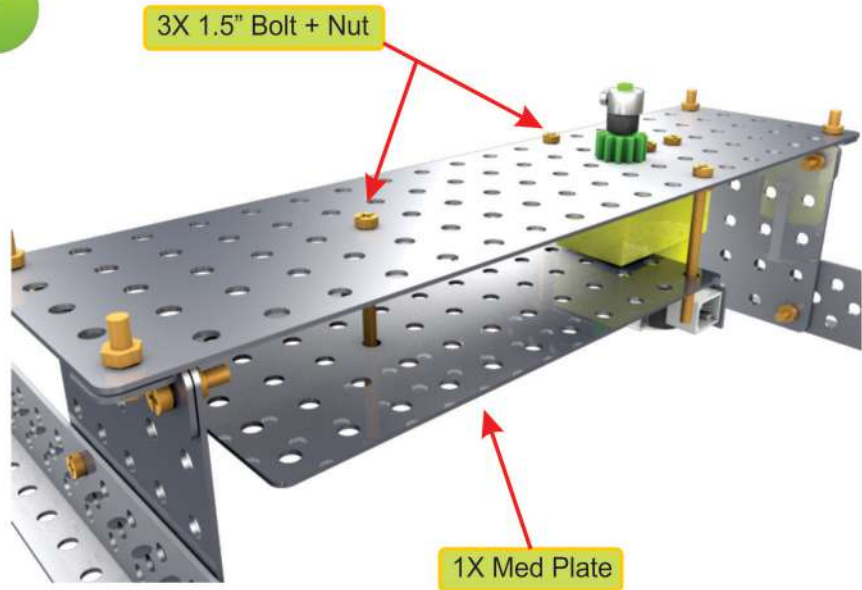


2

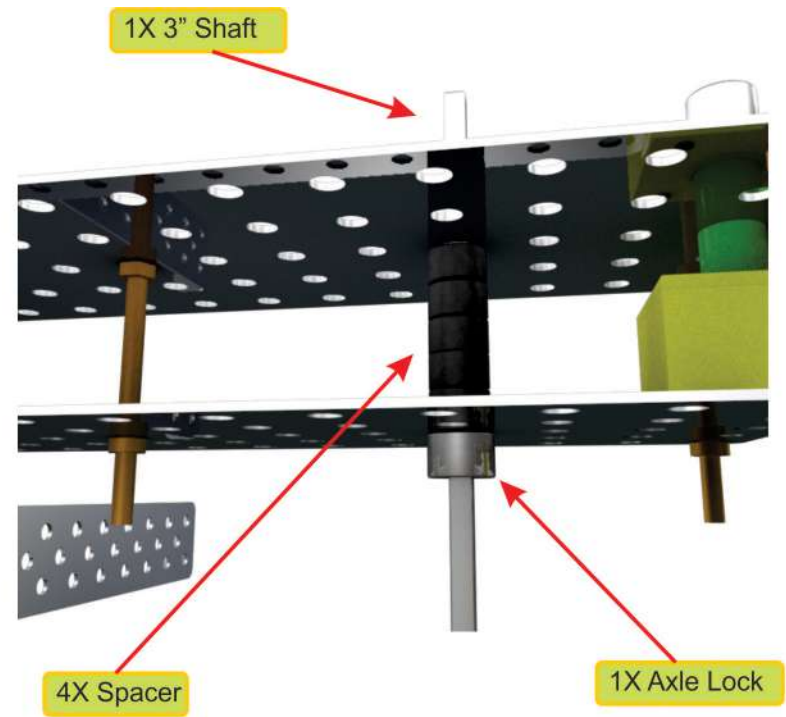




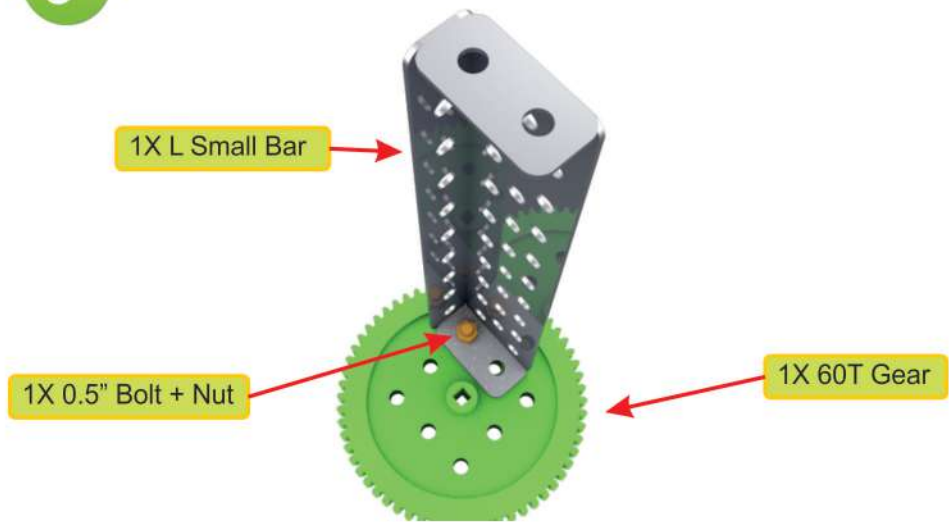
7



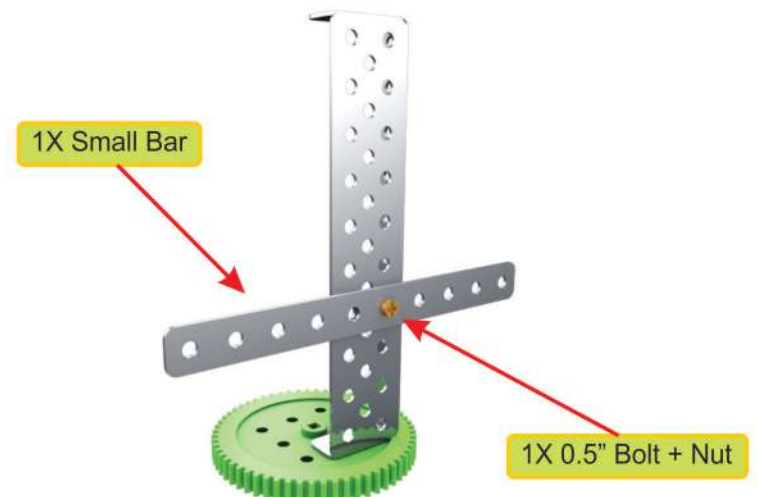
8



9

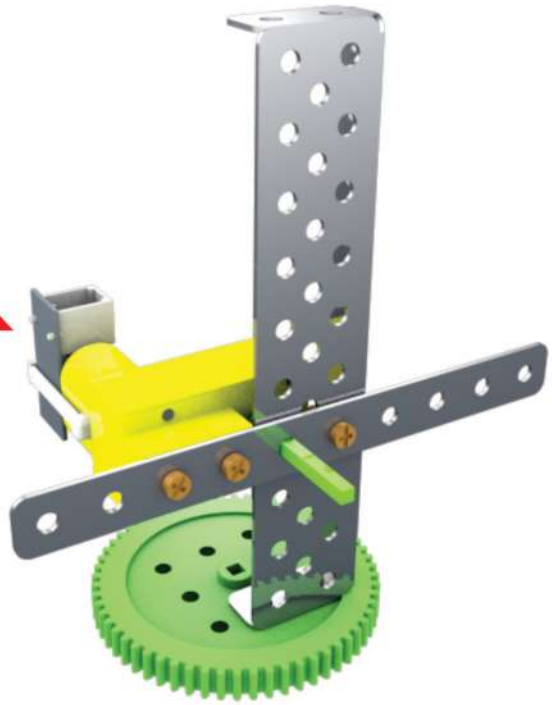


10



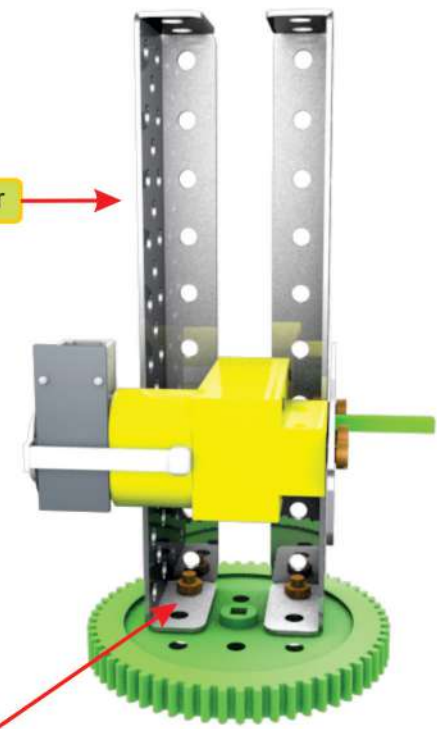
11

1X Motor



12

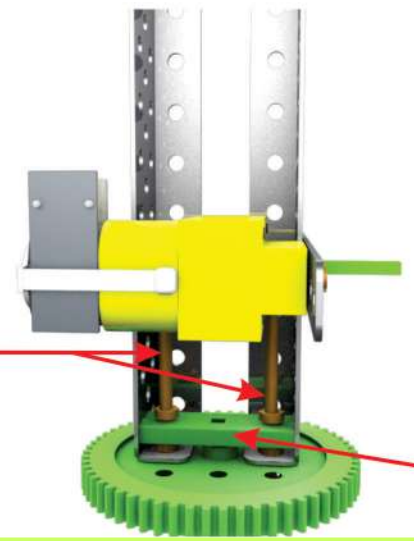
1X L Small Bar



1X 0.5" Bolt + Nut

13

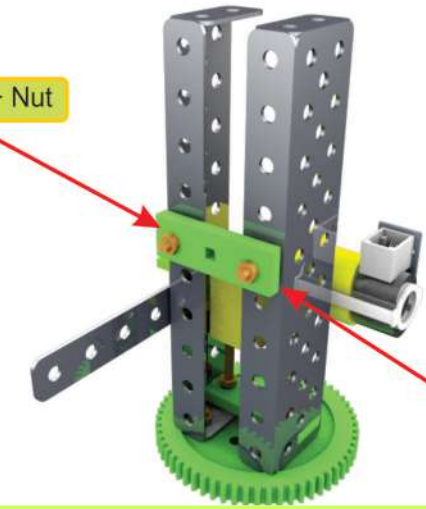
2X 1.5" Bolt + Nut



1X Shaft Locker

14

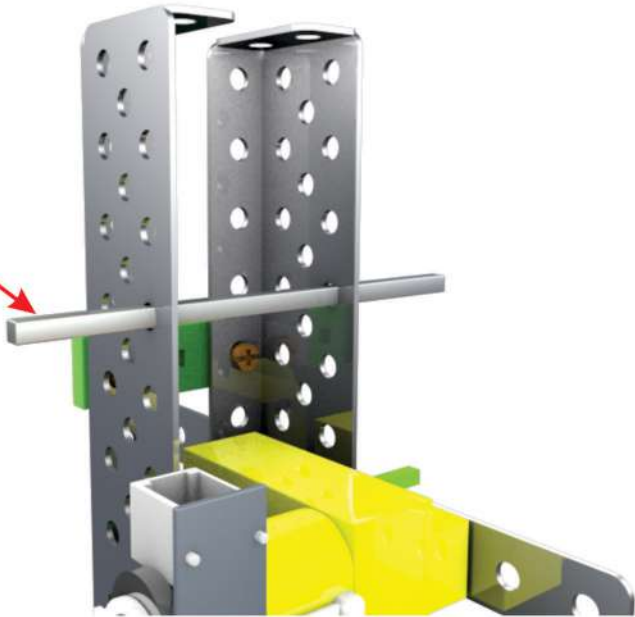
2X 0.5" Bolt + Nut



1X Shaft Locker

15

1X 3" Shaft

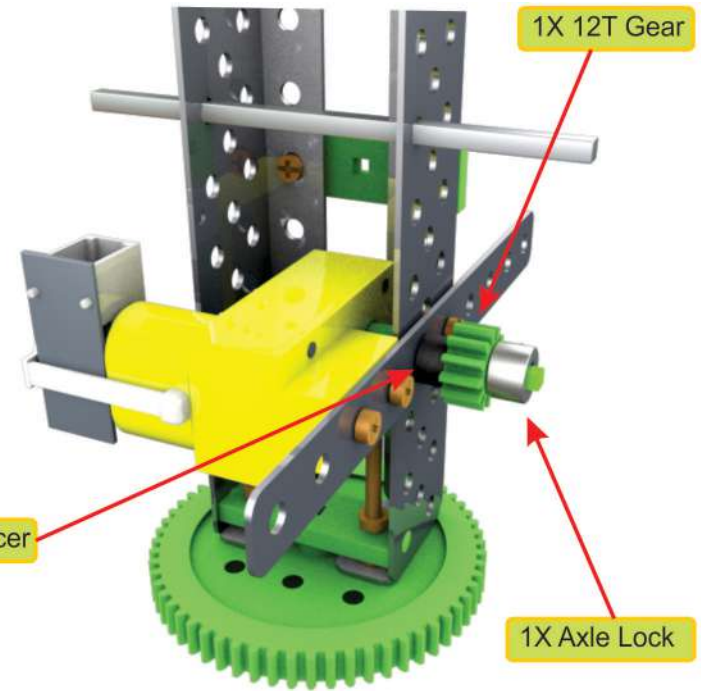


16

1X 12T Gear

1X Spacer

1X Axle Lock



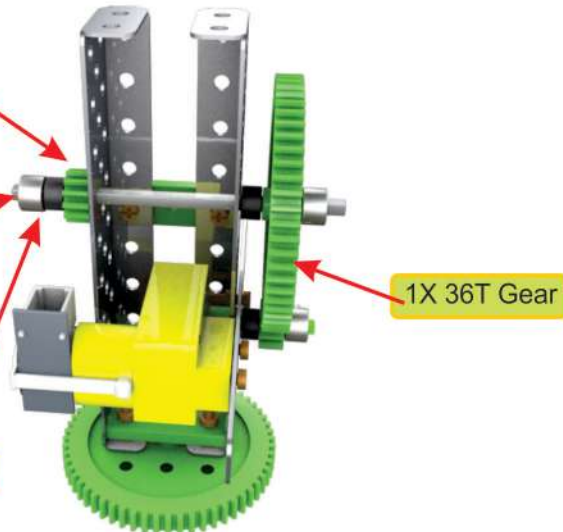
17

1X 12T Gear

2X Axle Lock

2X Spacer

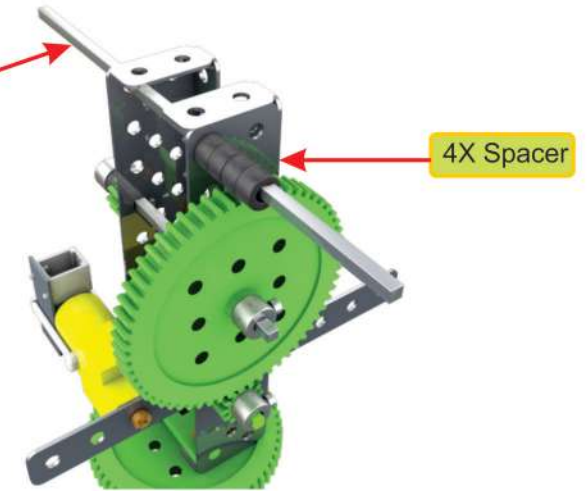
1X 36T Gear



18

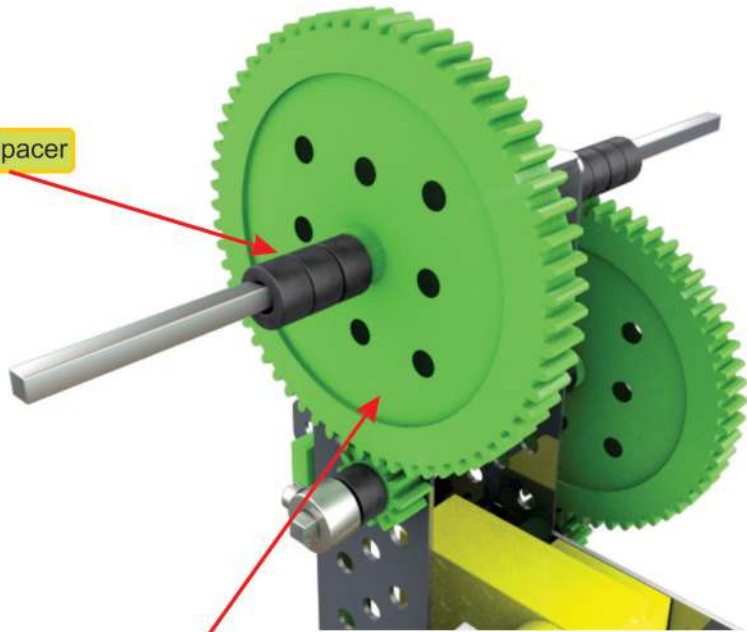
1X 6" Shaft

4X Spacer



19

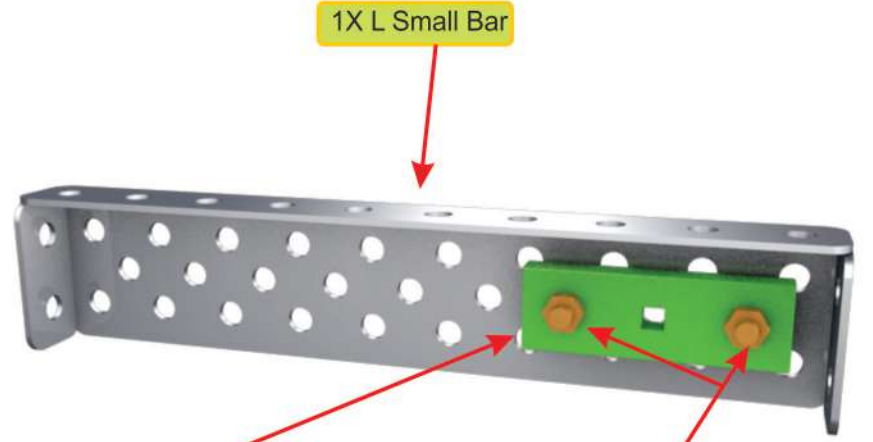
3X Spacer



1X 36T Gear

20

1X L Small Bar

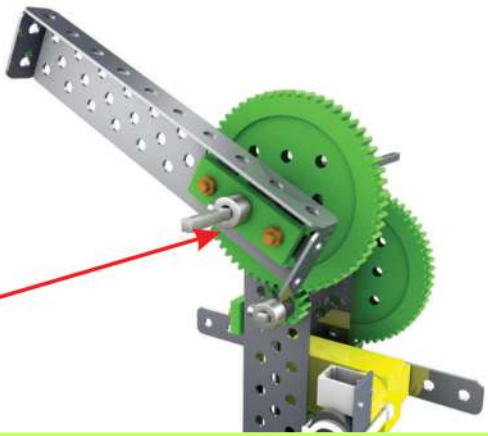


1X Shaft Locker

2X 0.5" Bolt + Nut

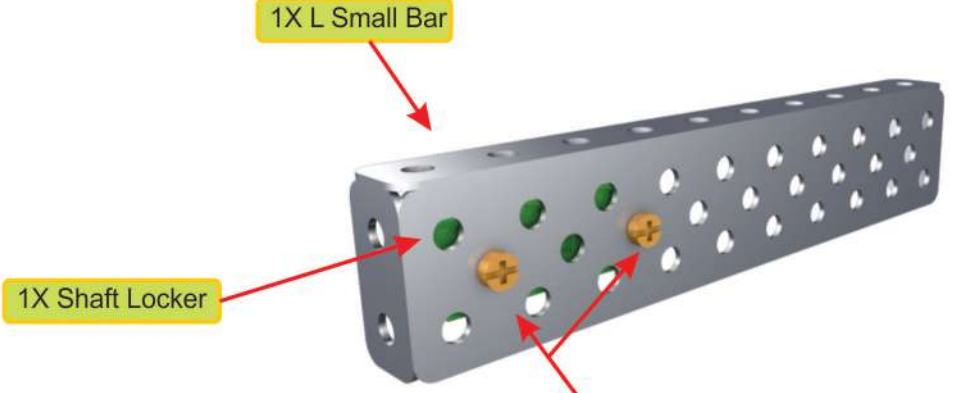
21

1X Axle Lock



22

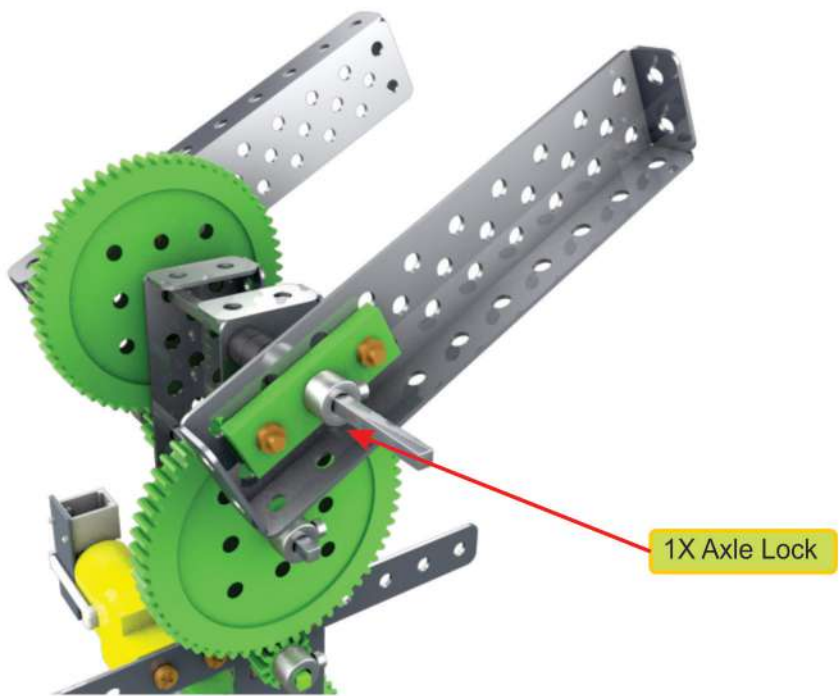
1X L Small Bar



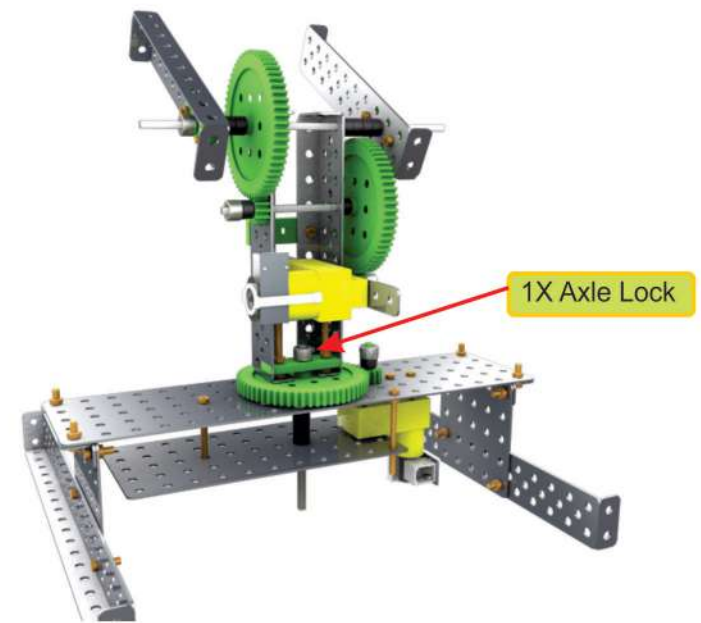
1X Shaft Locker

2X 0.5" Bolt + Nut

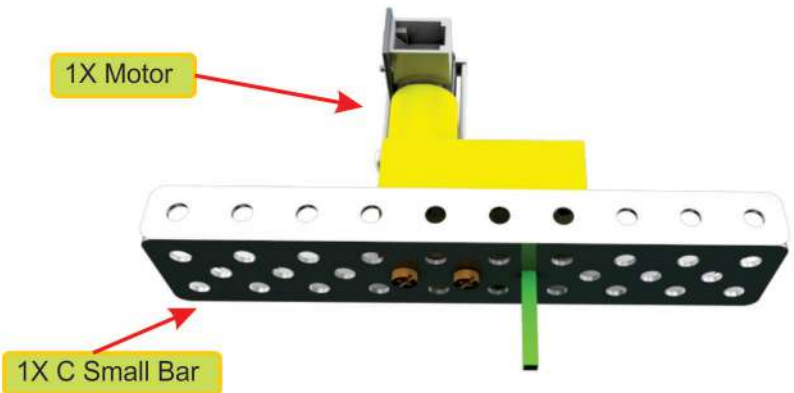
23



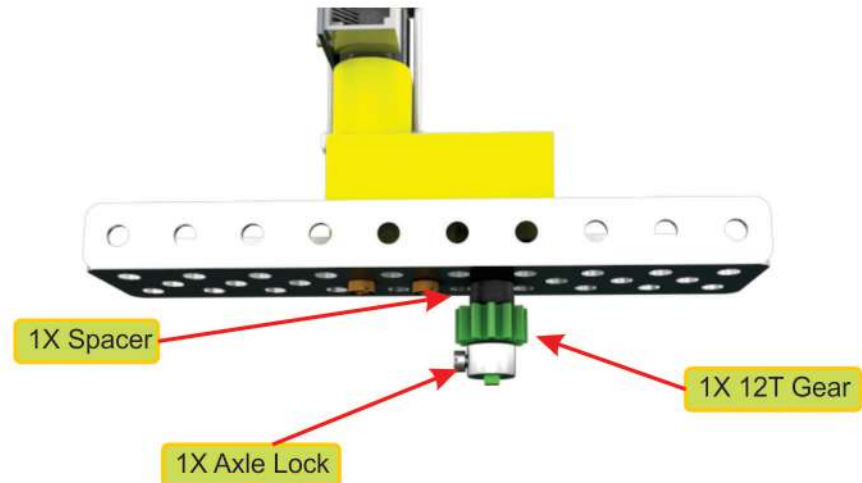
24



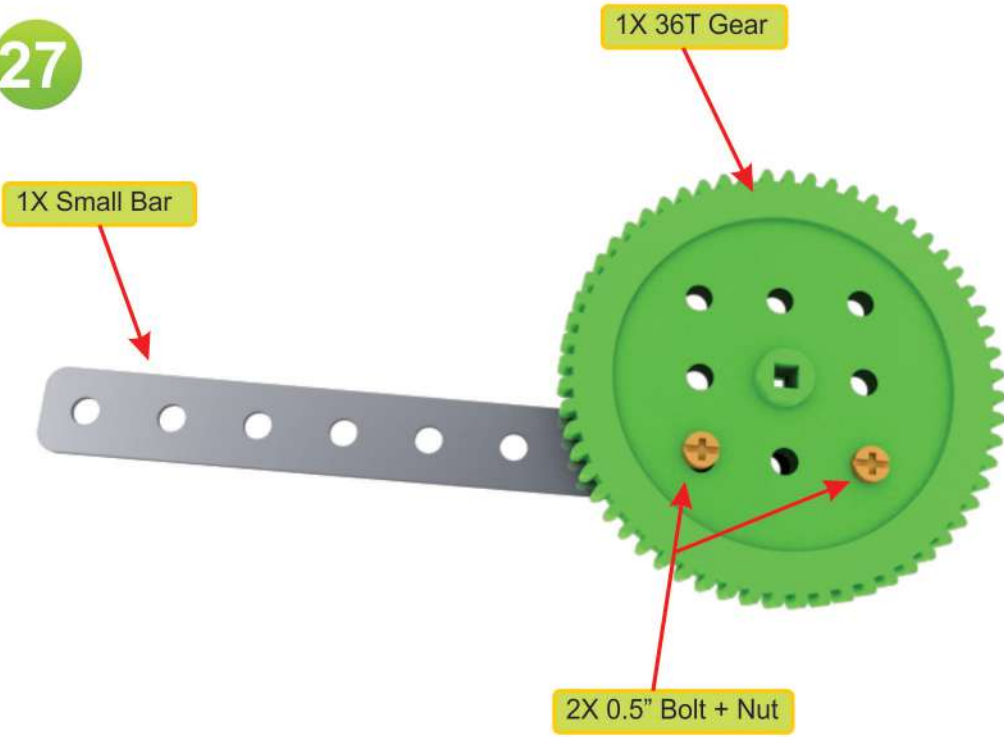
25



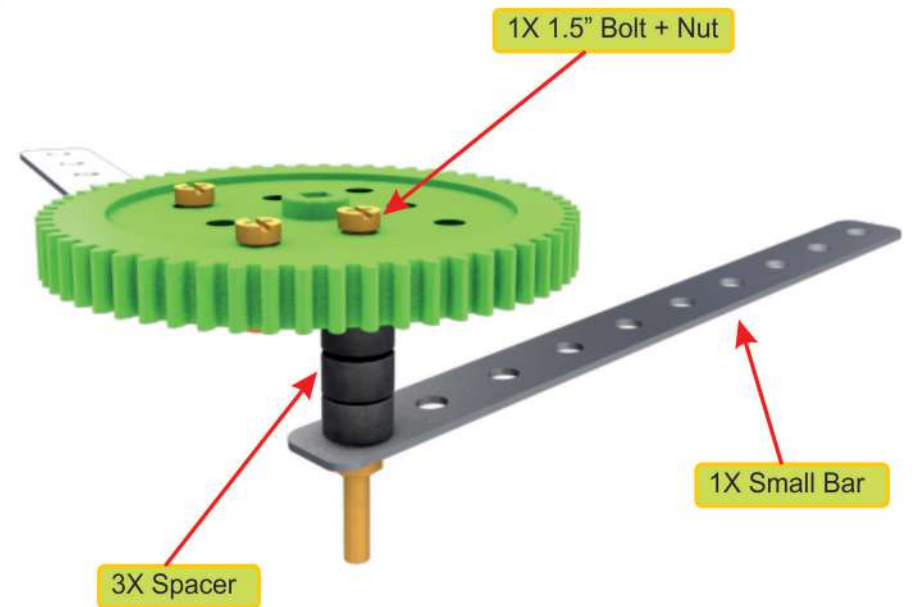
26



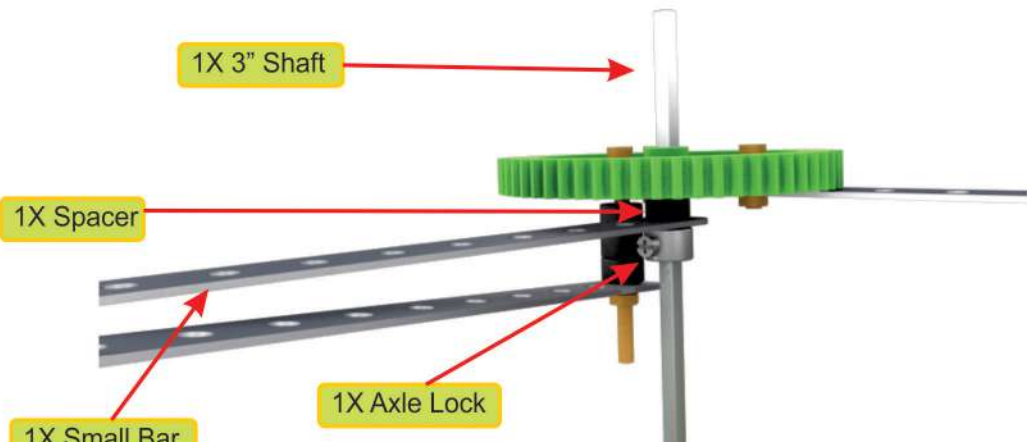
27



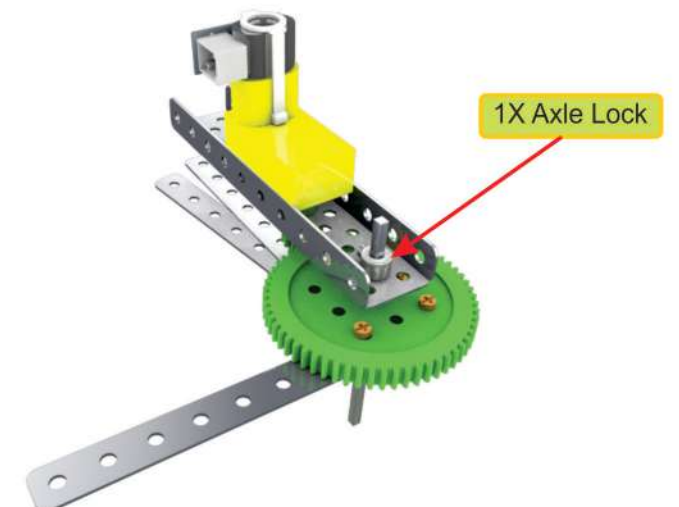
28



29



30

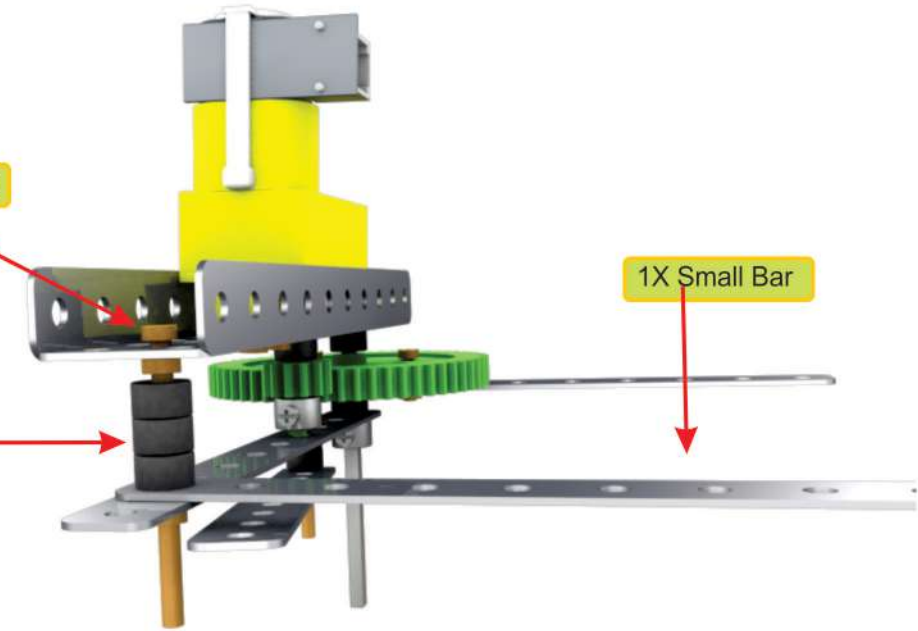


31

1X 1.5" Bolt + Nut

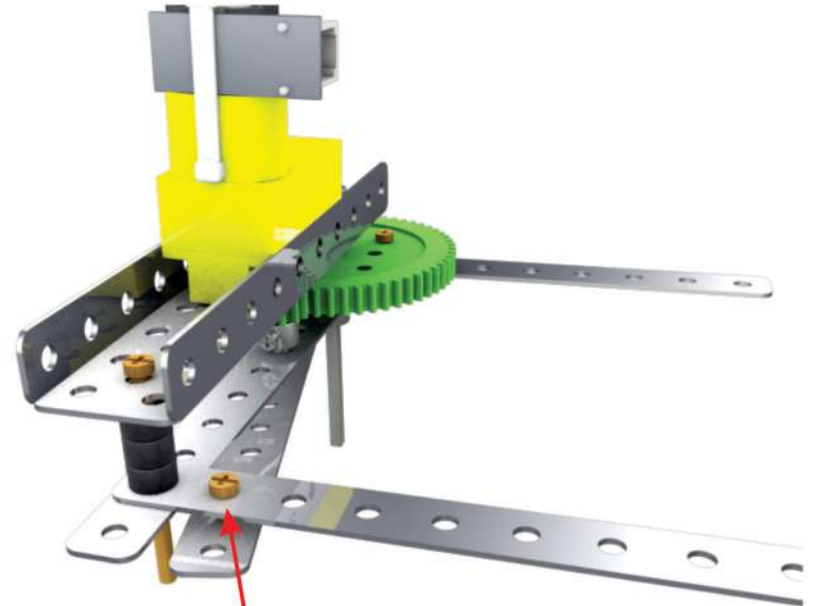
3X Spacer

1X Small Bar



32

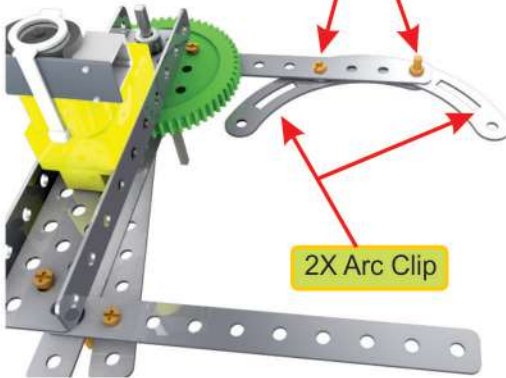
1X 0.5" Bolt + Nut



33

2X 0.5" Bolt + Nut

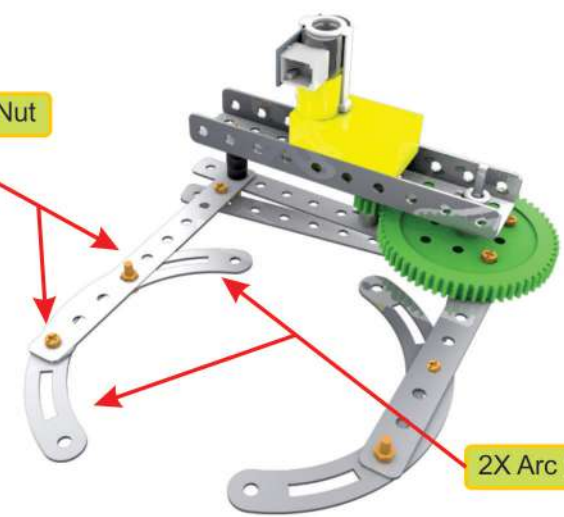
2X Arc Clip



34

2X 0.5" Bolt + Nut

2X Arc Clip

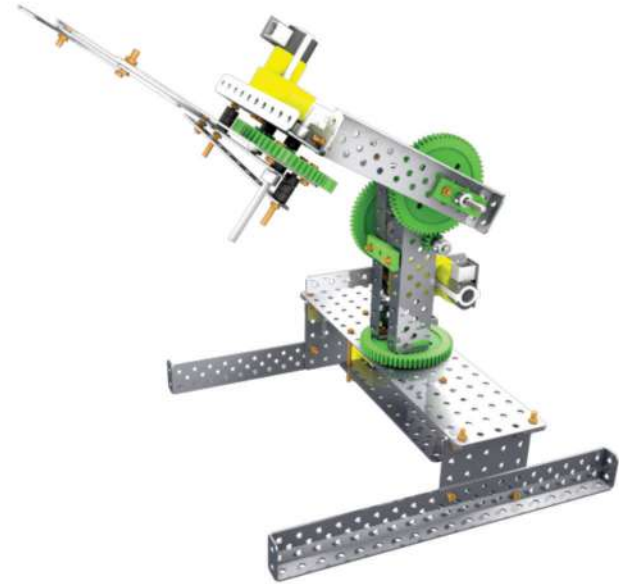


35



2X 0.5" Bolt + Nut

36



What did you learn?

