

## #5 F1 Car

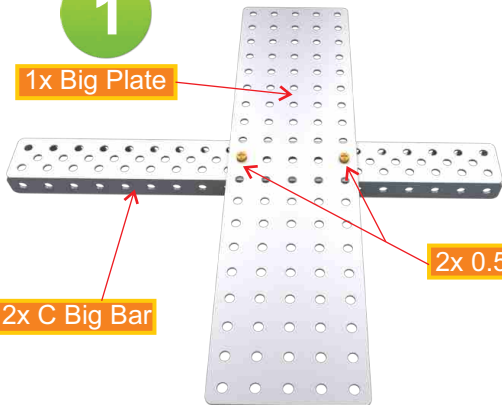


1

1x Big Plate

2x C Big Bar

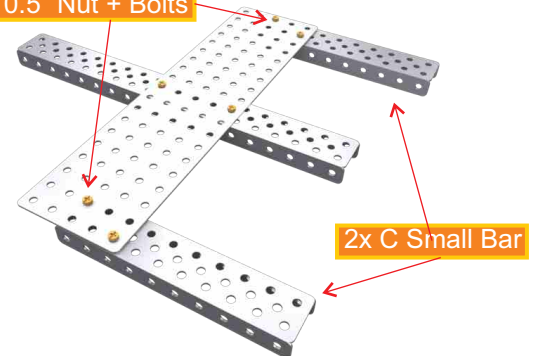
2x 0.5" Nut + Bolts



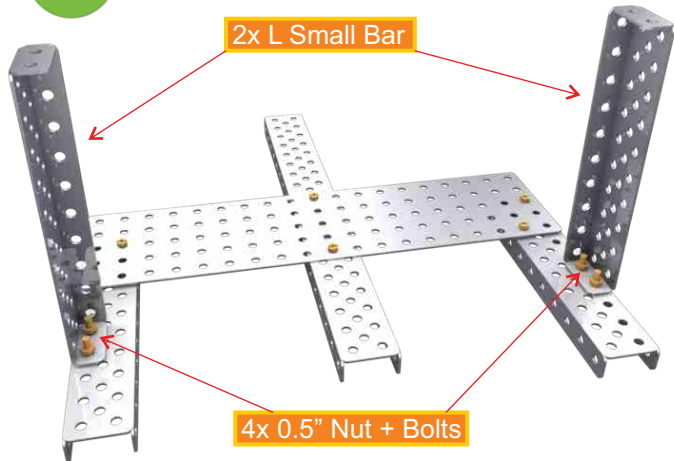
2

4x 0.5" Nut + Bolts

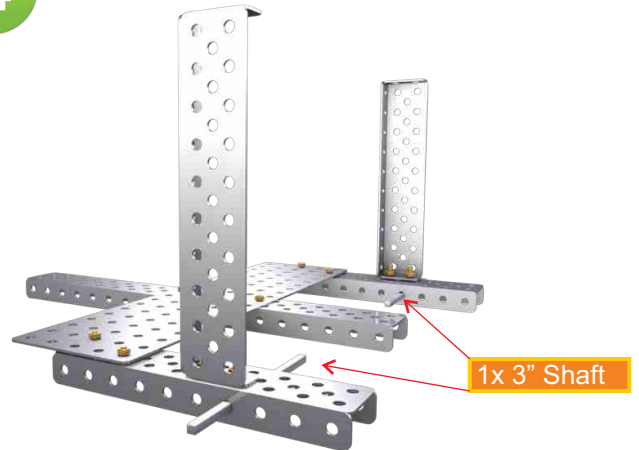
2x C Small Bar



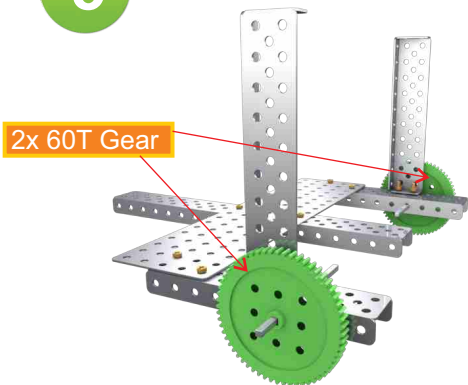
3



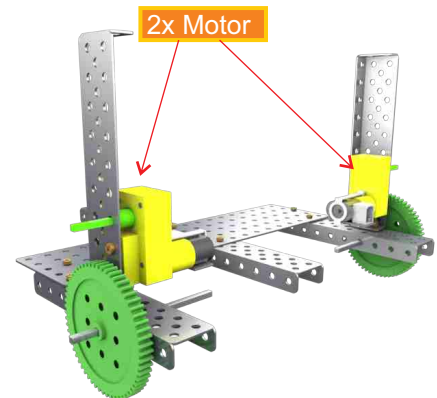
4



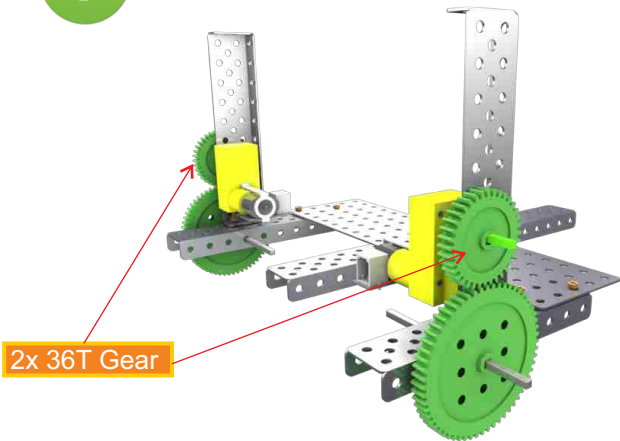
5



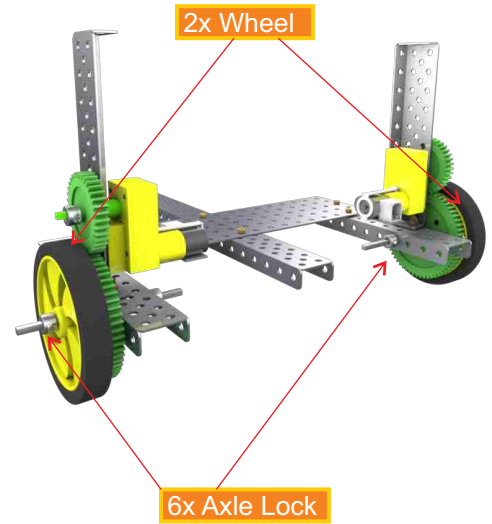
6



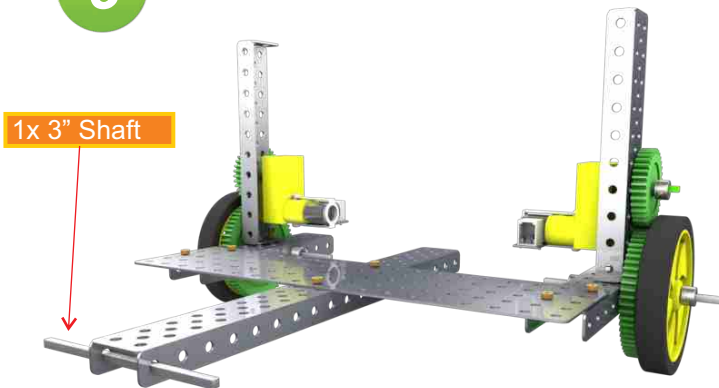
7



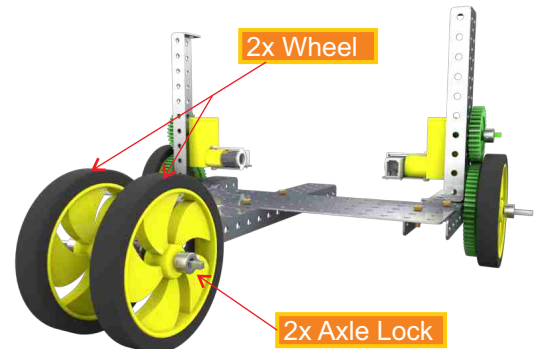
8



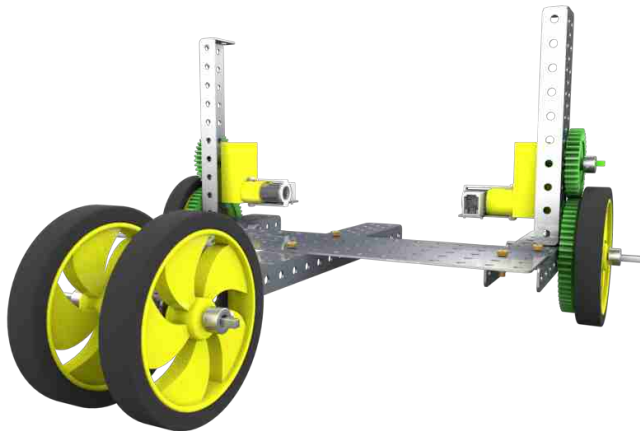
9



10



15



What did you learn?

---

---

---

---

