

Understanding Weather



Product of



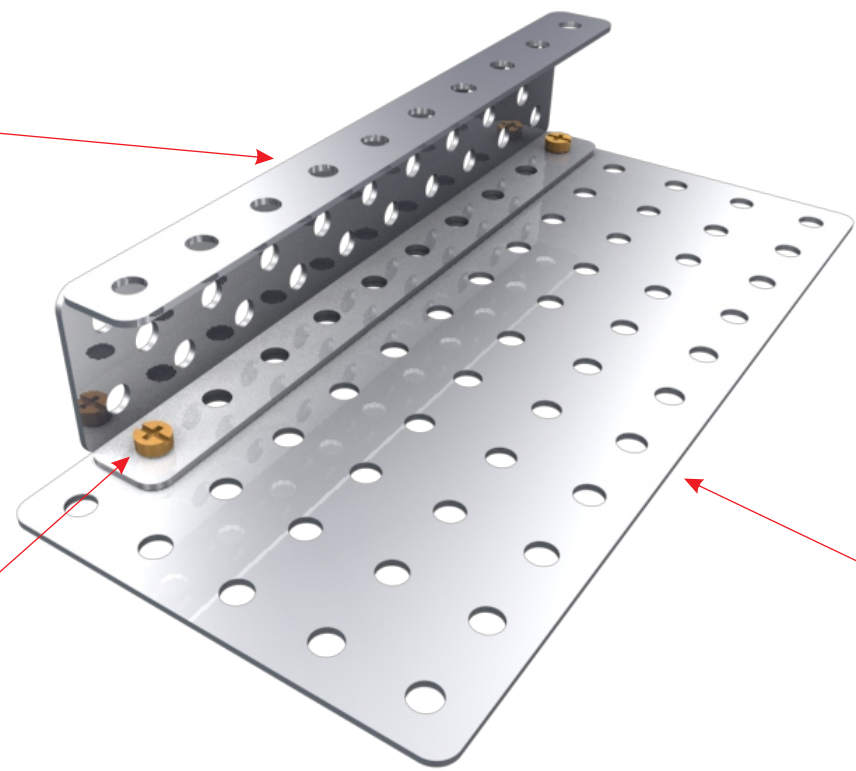
Understanding Weather

1

1X C Small Bar

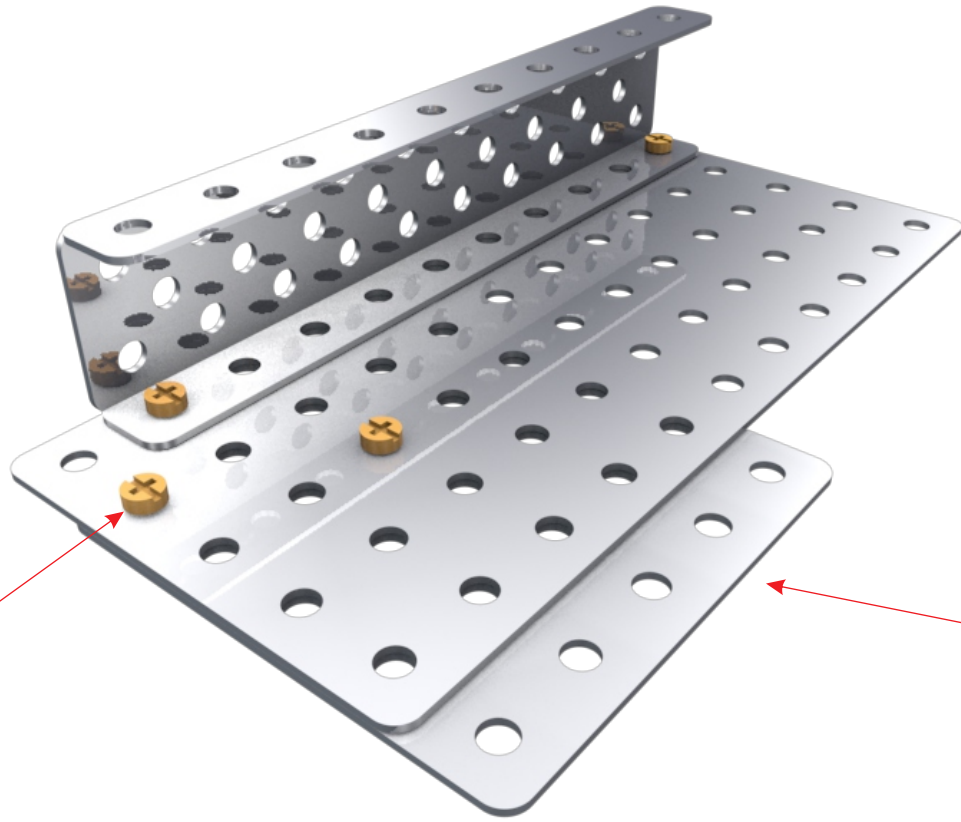
2X 0.5" Bolt + Nut

1X Medium Plate



Understanding Weather

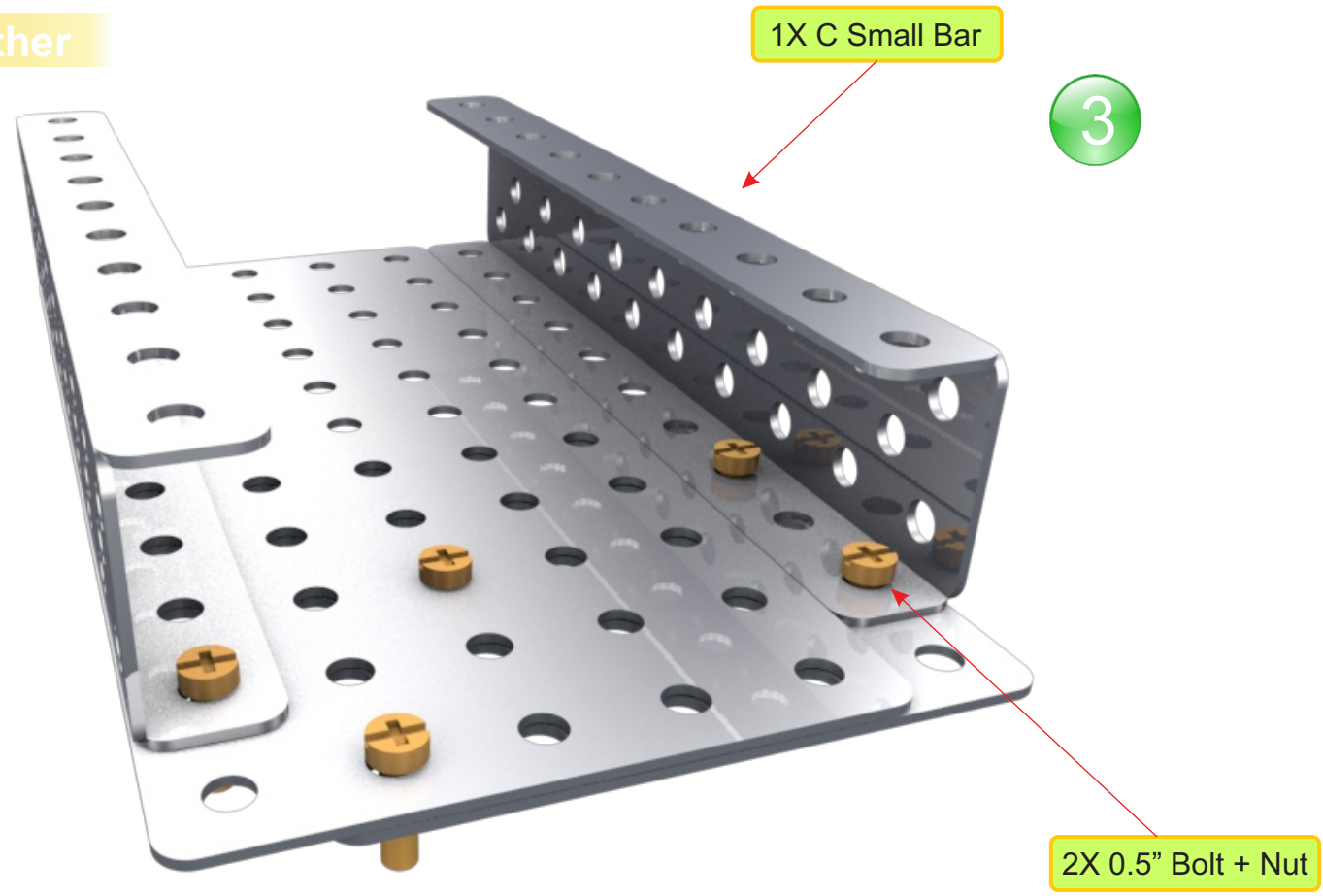
2



2X 0.5" Bolt + Nut

1X Small Plate

Understanding Weather



1X C Small Bar

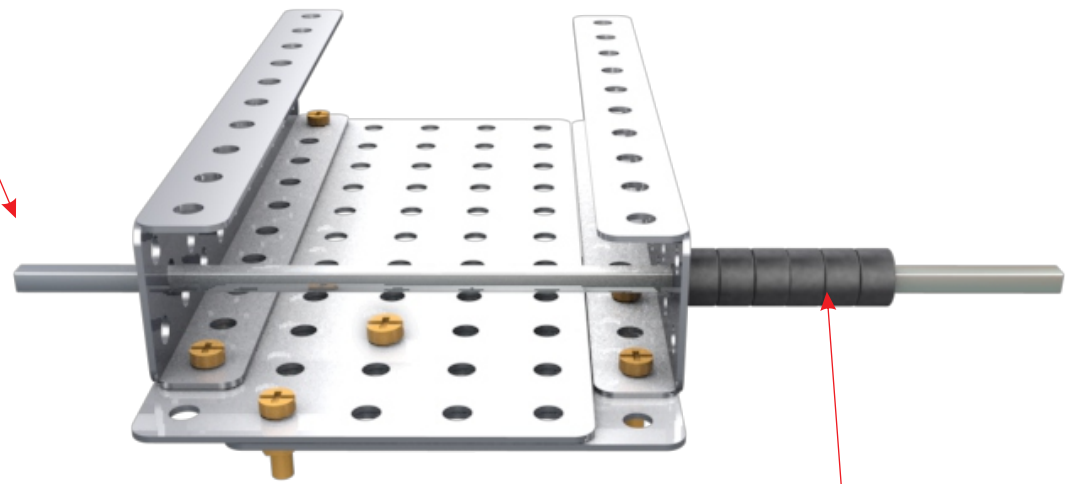
3

2X 0.5" Bolt + Nut

Understanding Weather

4

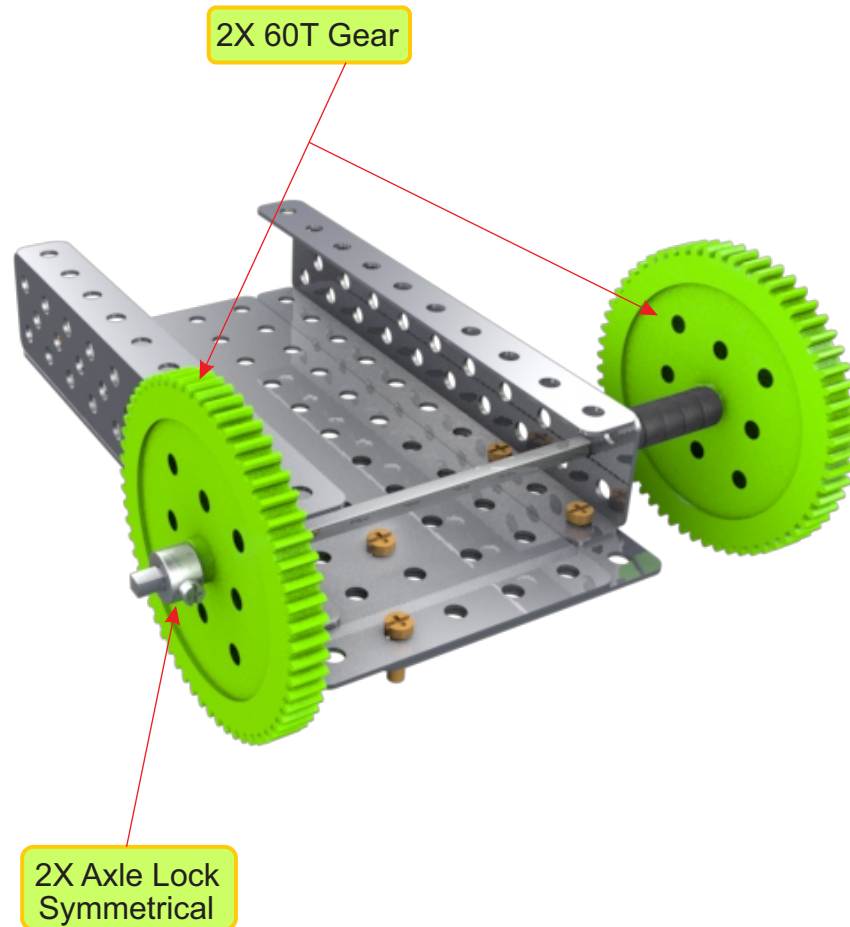
1X Shaft 6"



6X Spacer

Understanding Weather

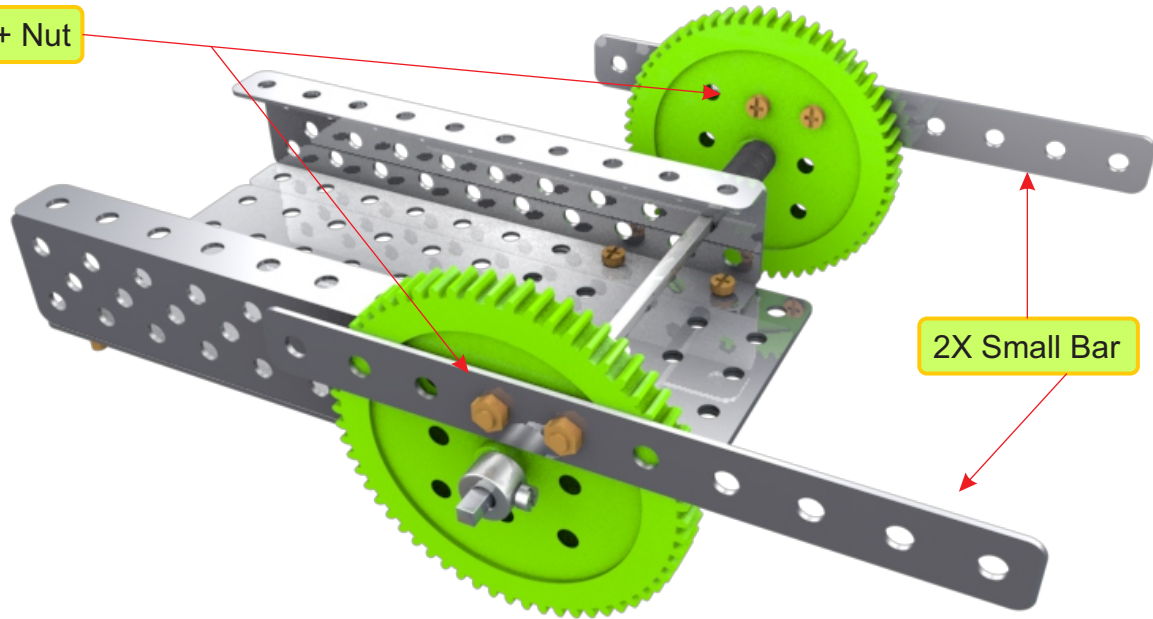
5



Understanding Weather

6

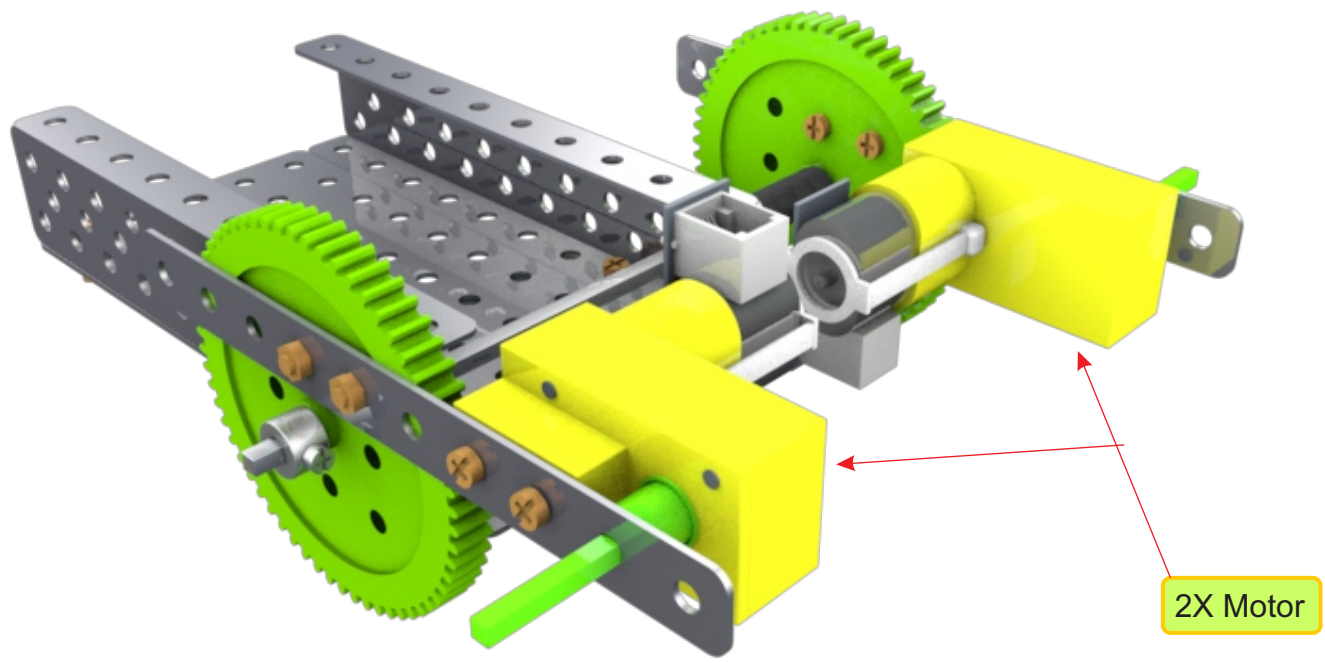
4X 0.5" Bolt + Nut



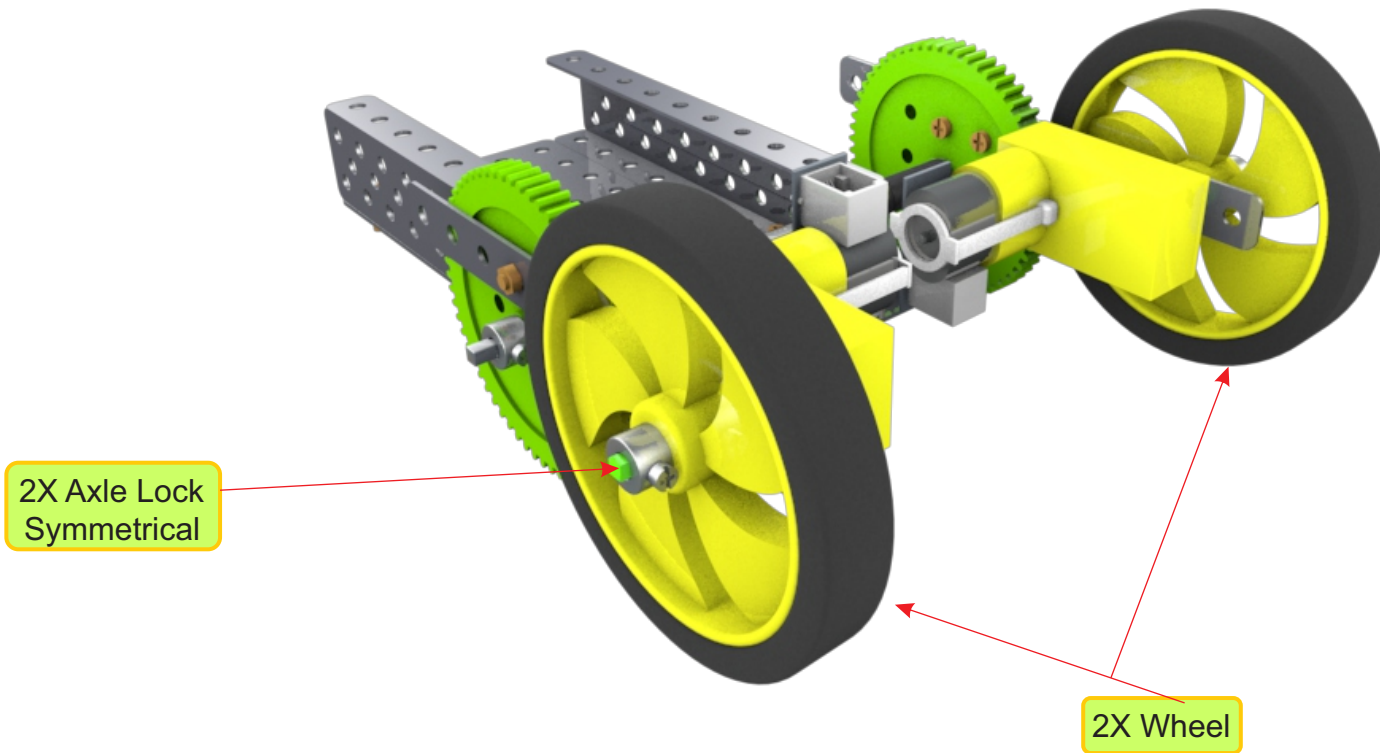
2X Small Bar

Understanding Weather

7

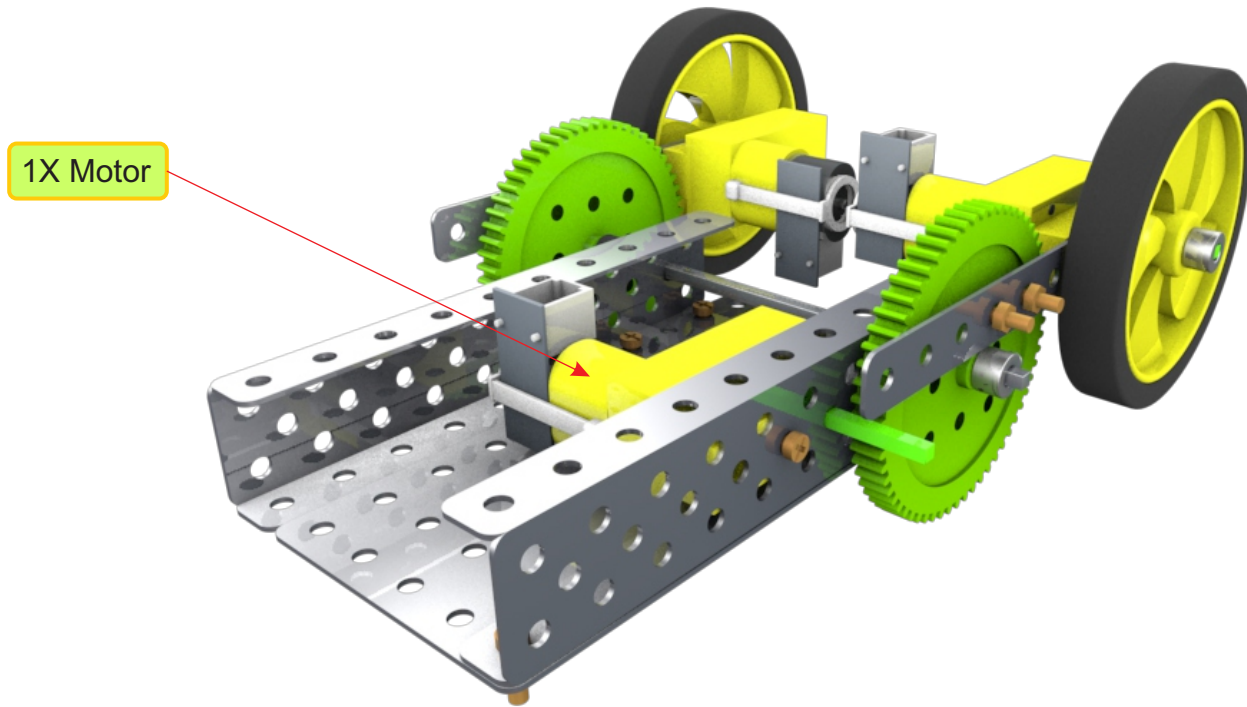


2X Motor



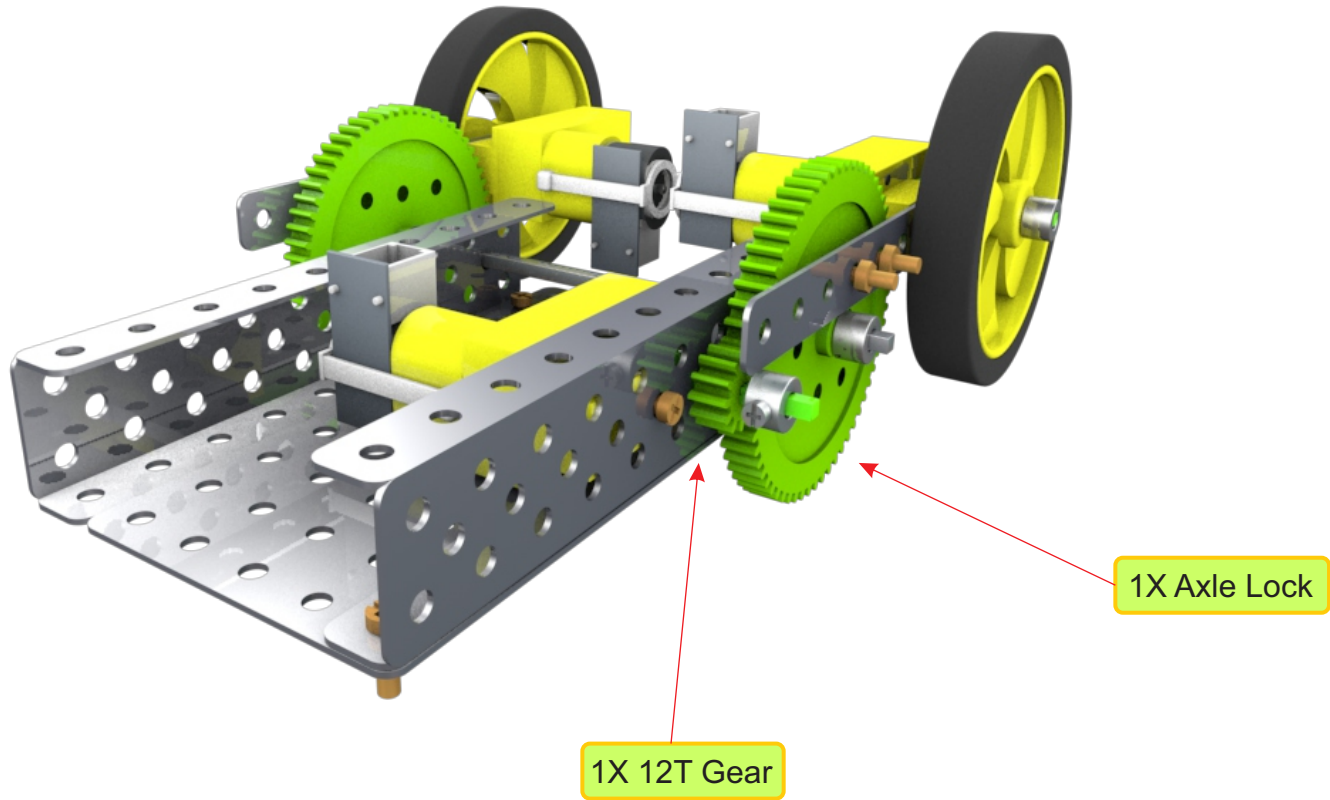
Understanding Weather

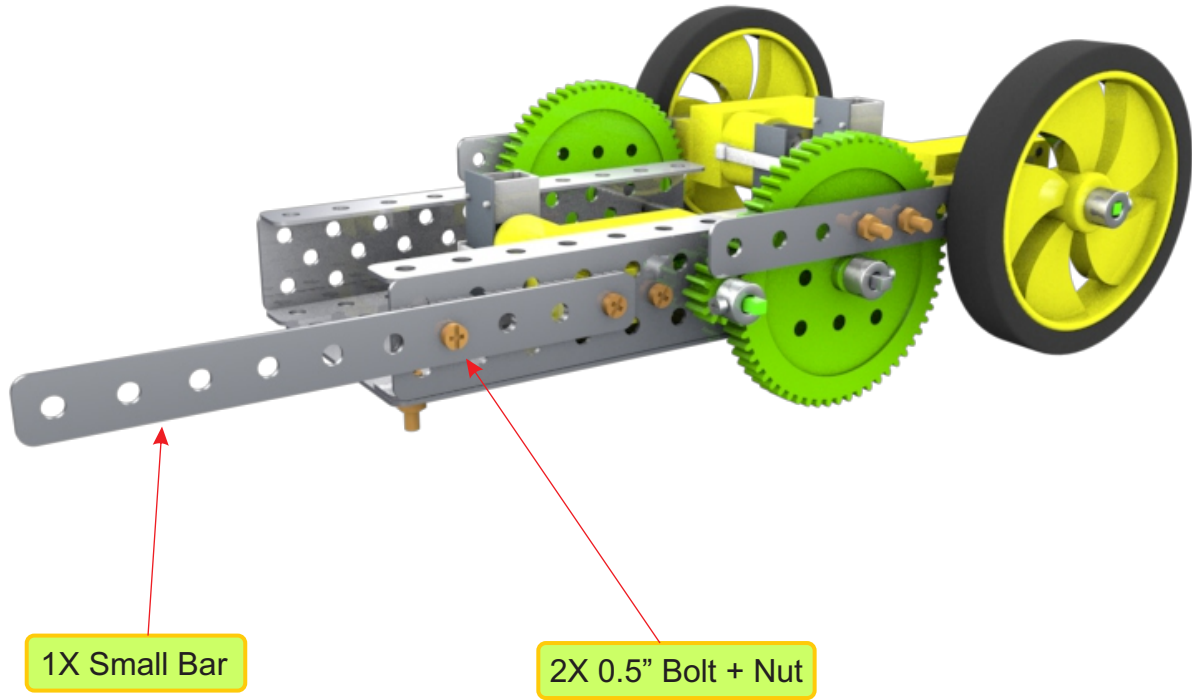
9



1X Motor

10



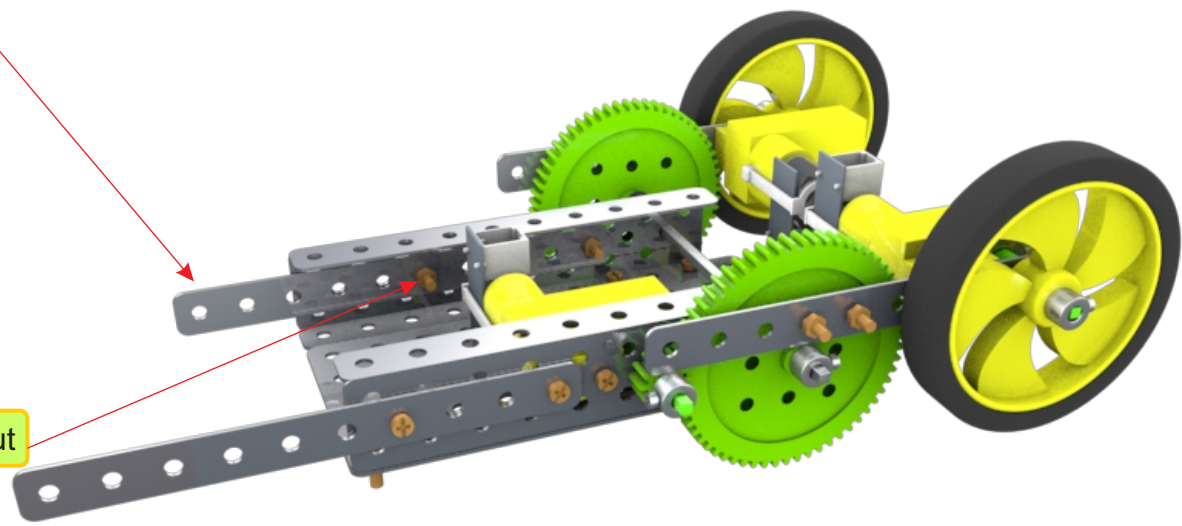


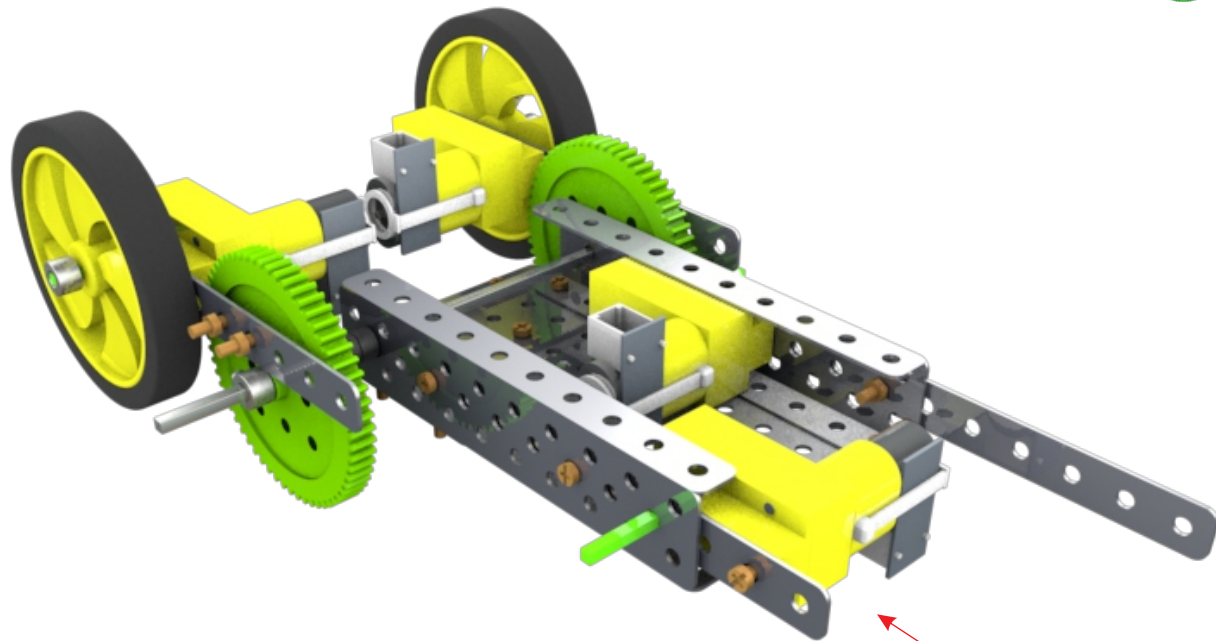
Understanding Weather

12

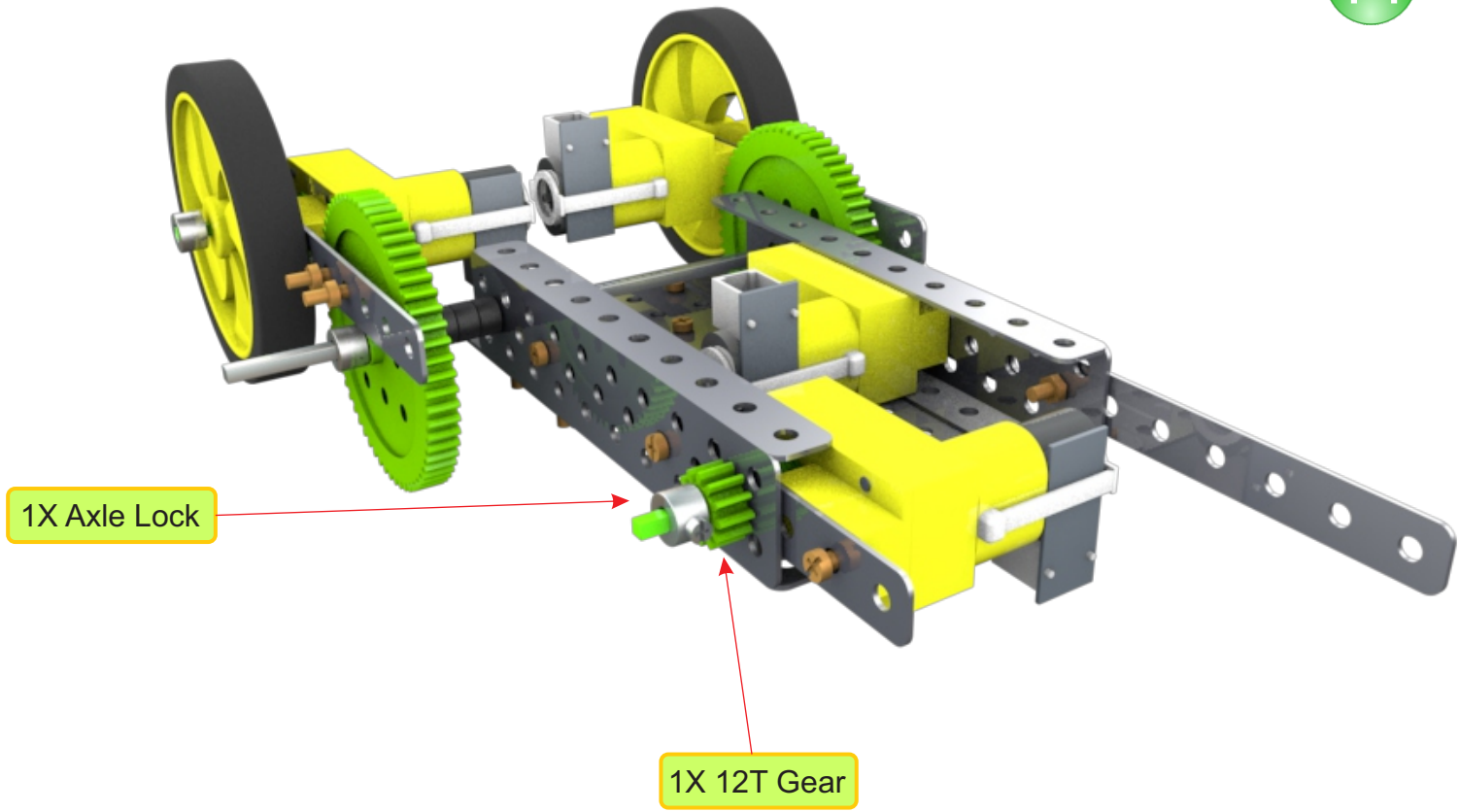
1X Small Bar

2X 0.5" Bolt + Nut

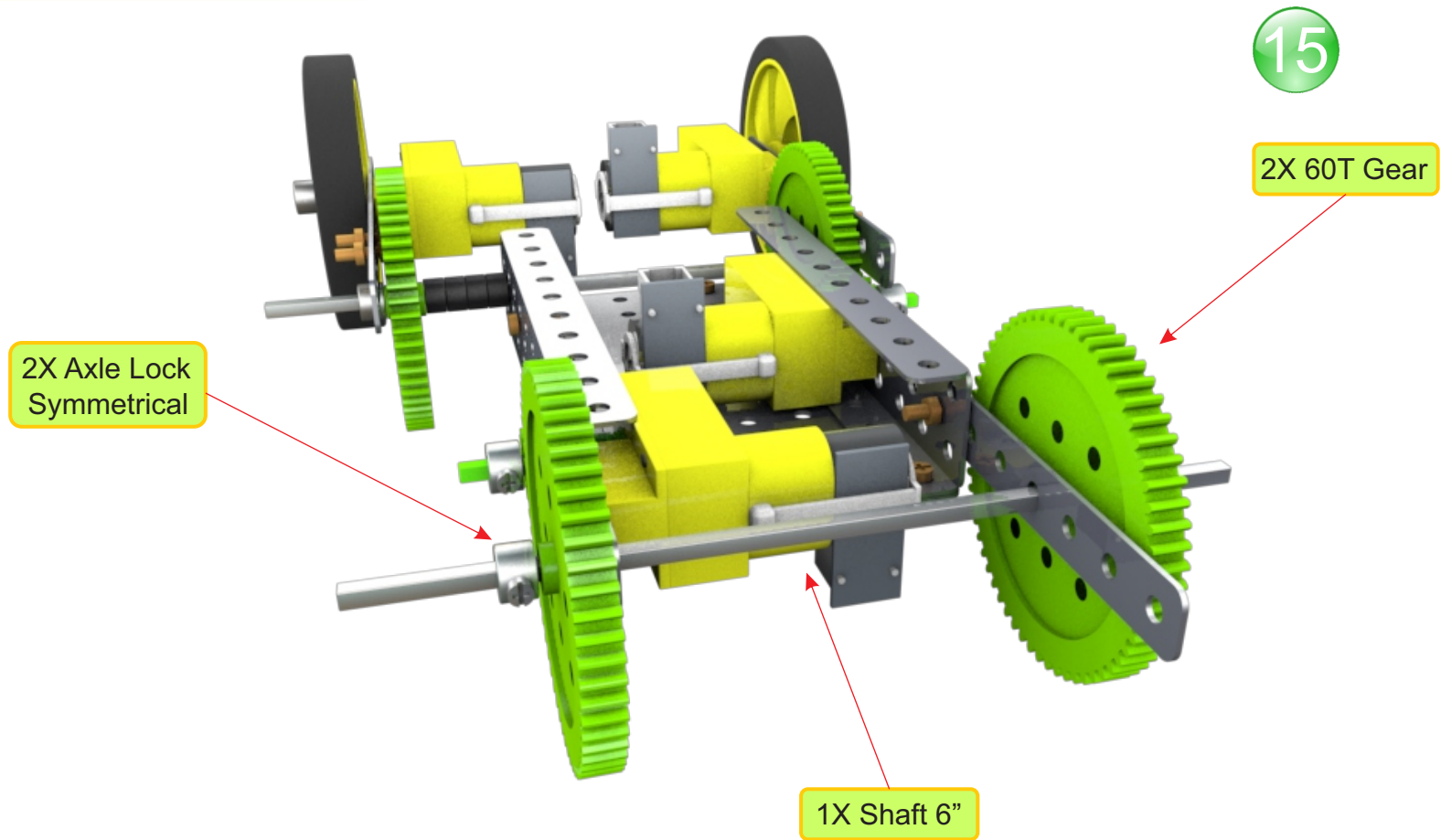




1X Motor

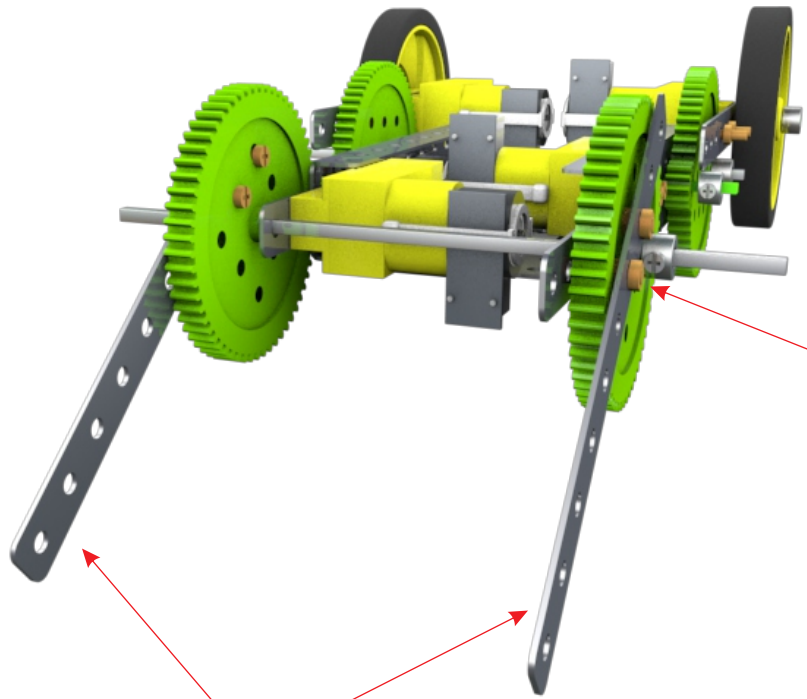


Understanding Weather



Understanding Weather

16



2X Small Bar

4X 0.5" Bolt + Nut

Understanding Weather



1X Shaft 3"



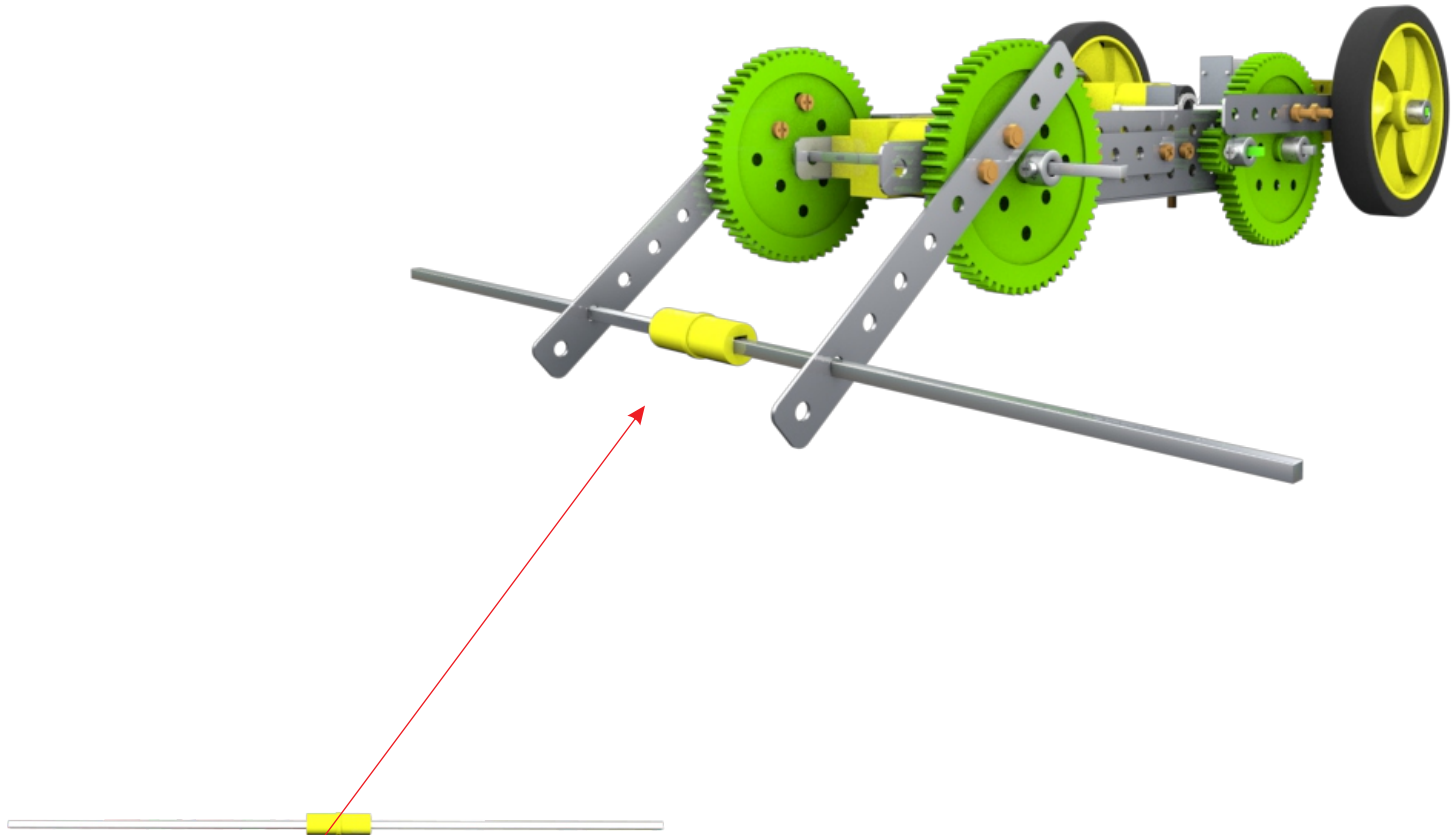
1X Shaft 3"



1X Shaft Coupler

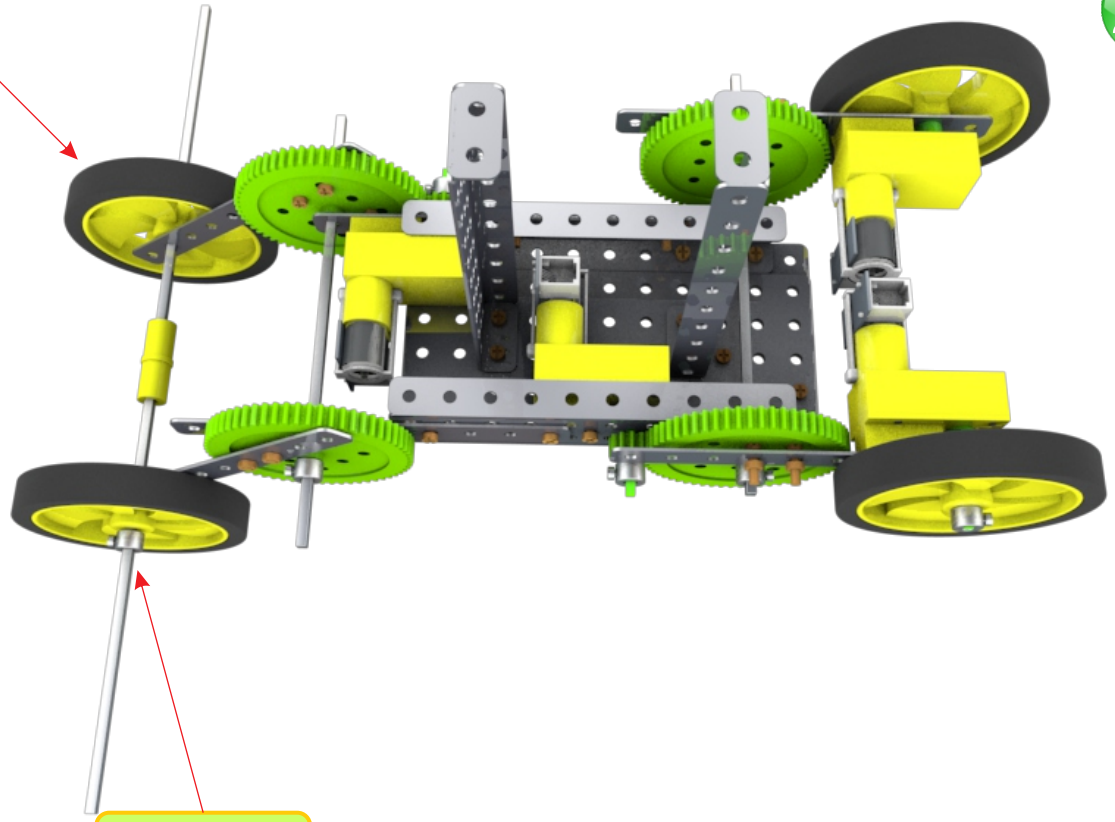
Understanding Weather

20



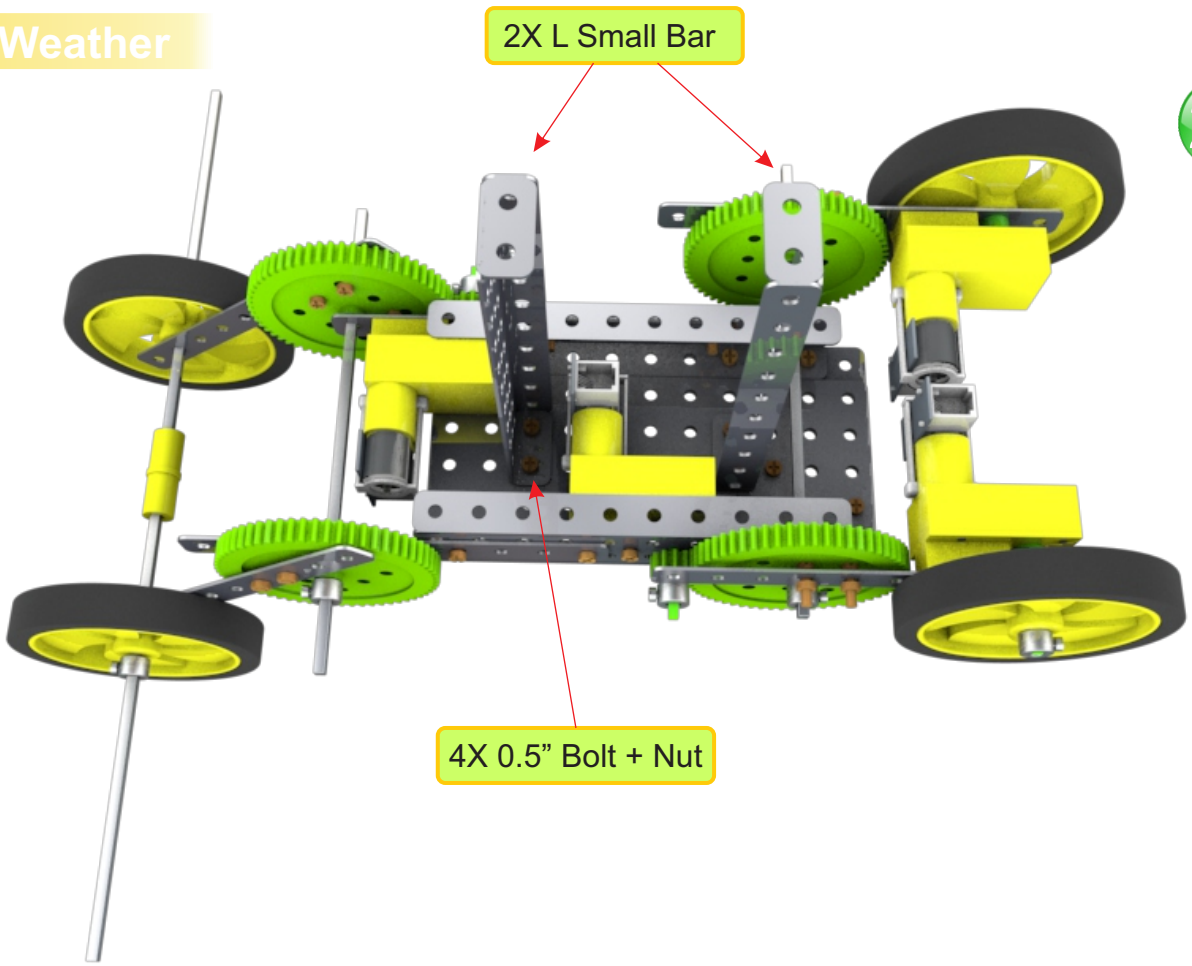
Understanding Weather

2X Wheel



2X Axle Lock
Symmetrical

Understanding Weather



Understanding Weather

4X 0.5" Bolt + Nut

23

1X Medium Plate

