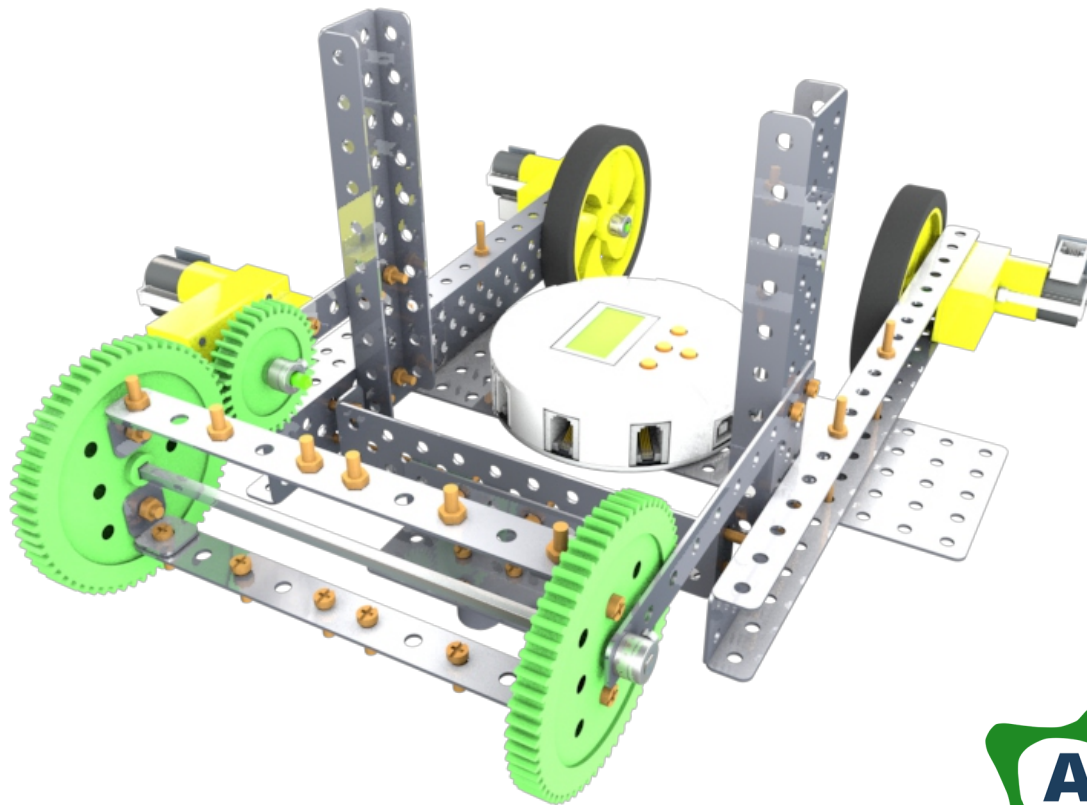


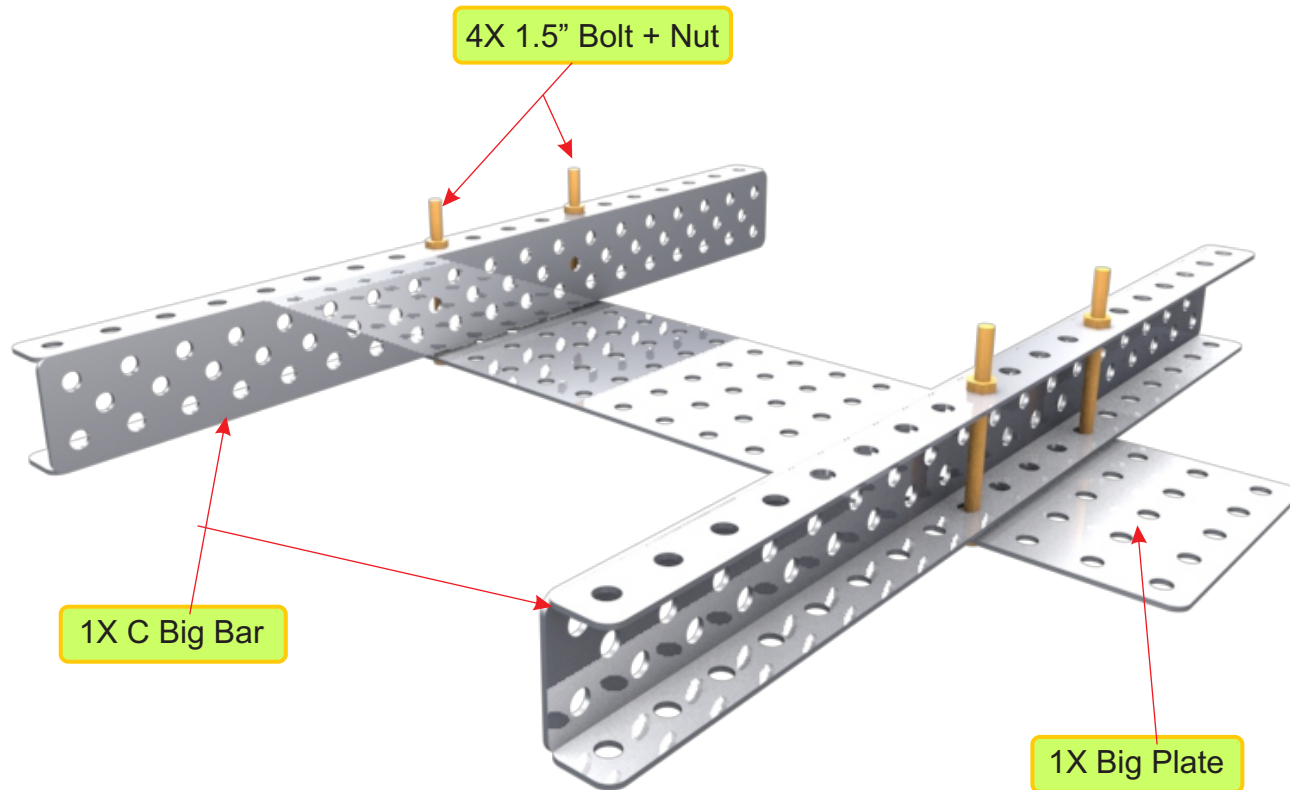
Harvester



Product of

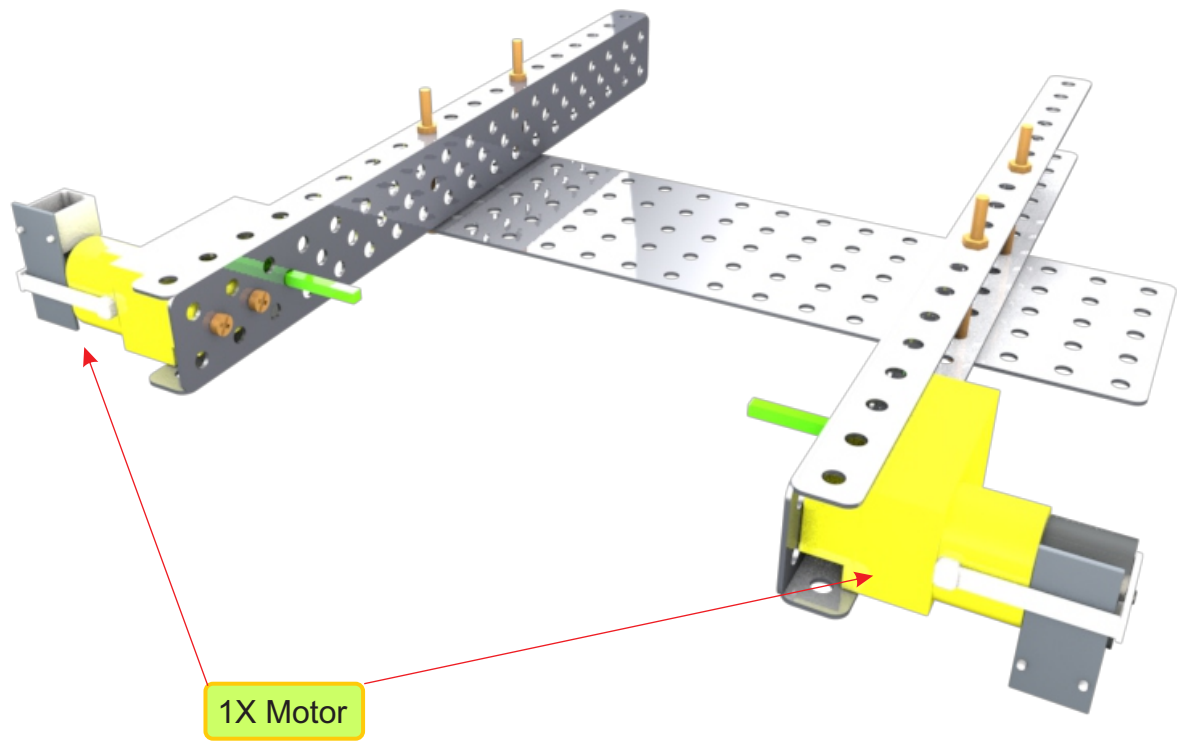


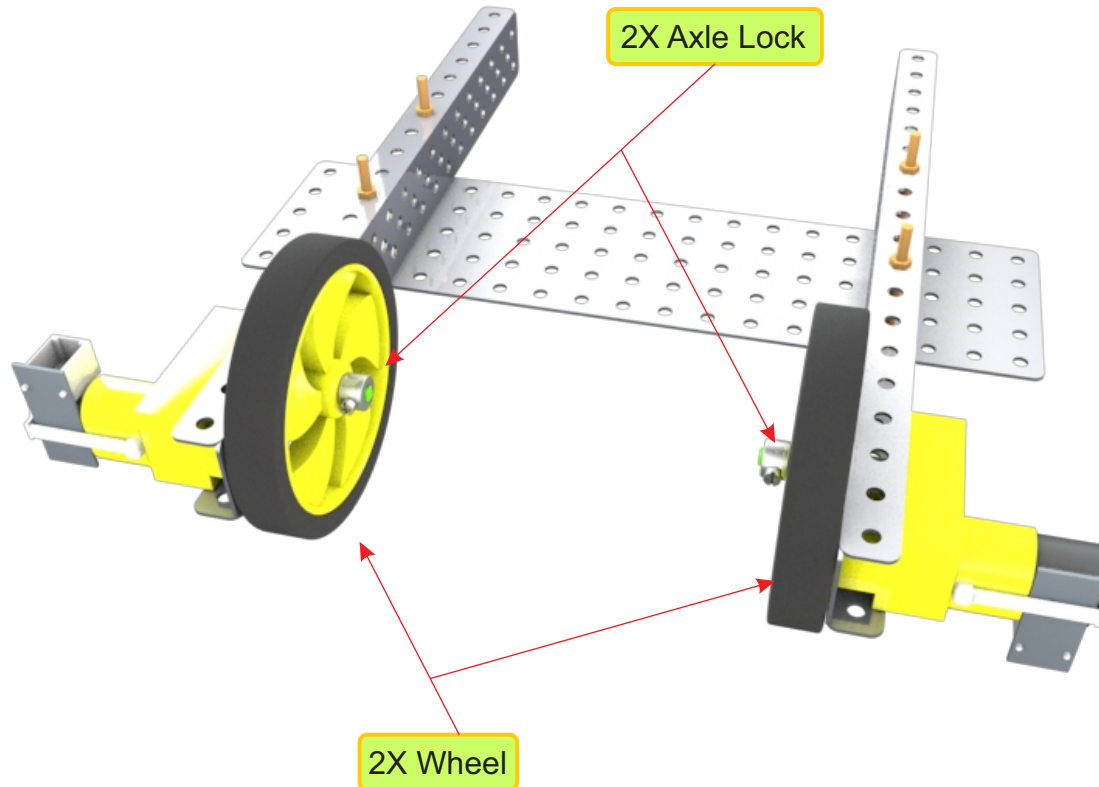
1



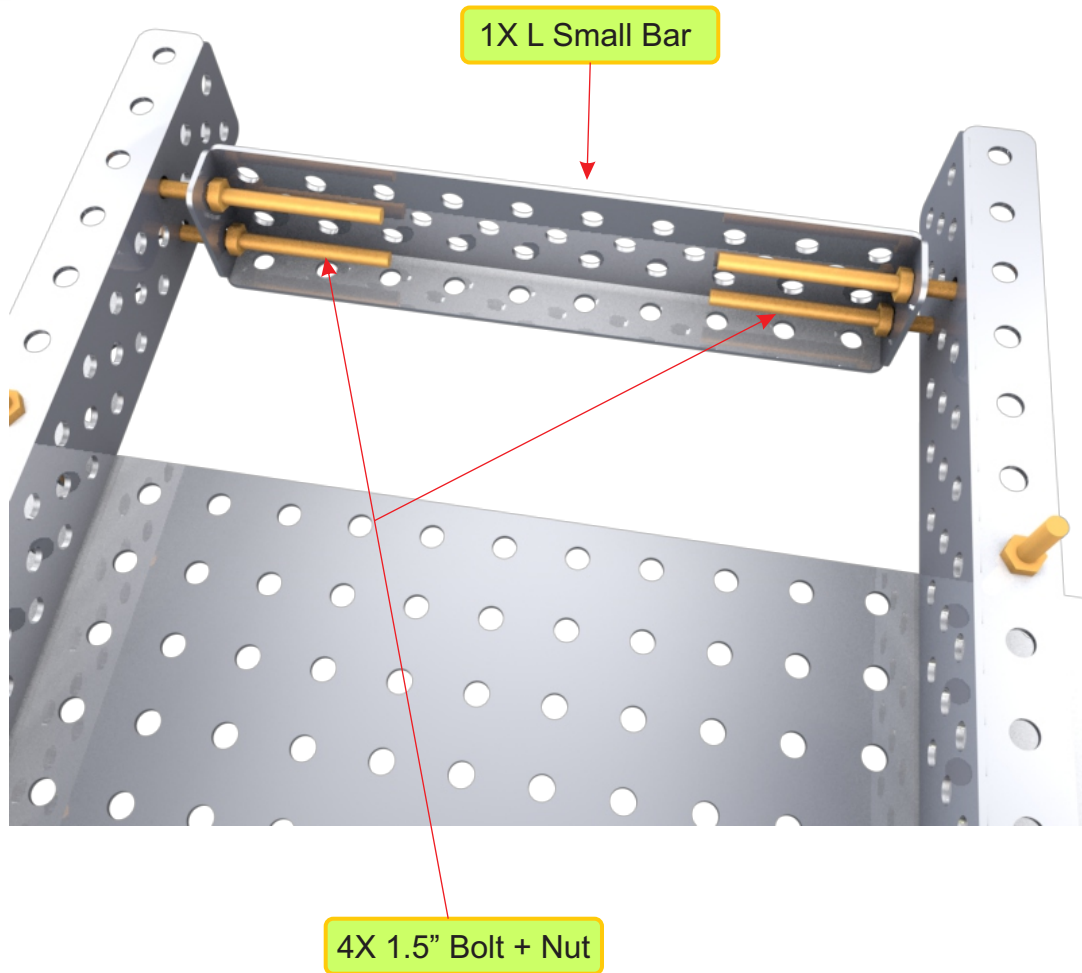
Harvester

2





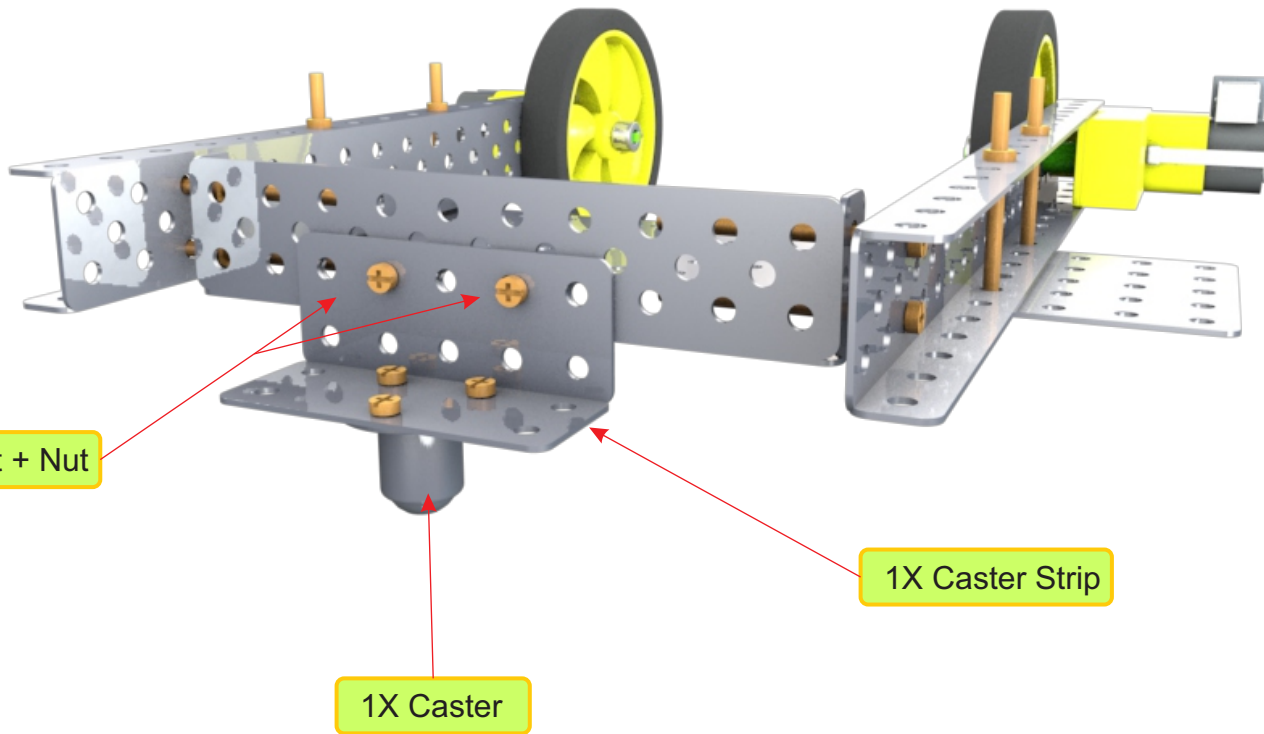
Harvester



4

Harvester

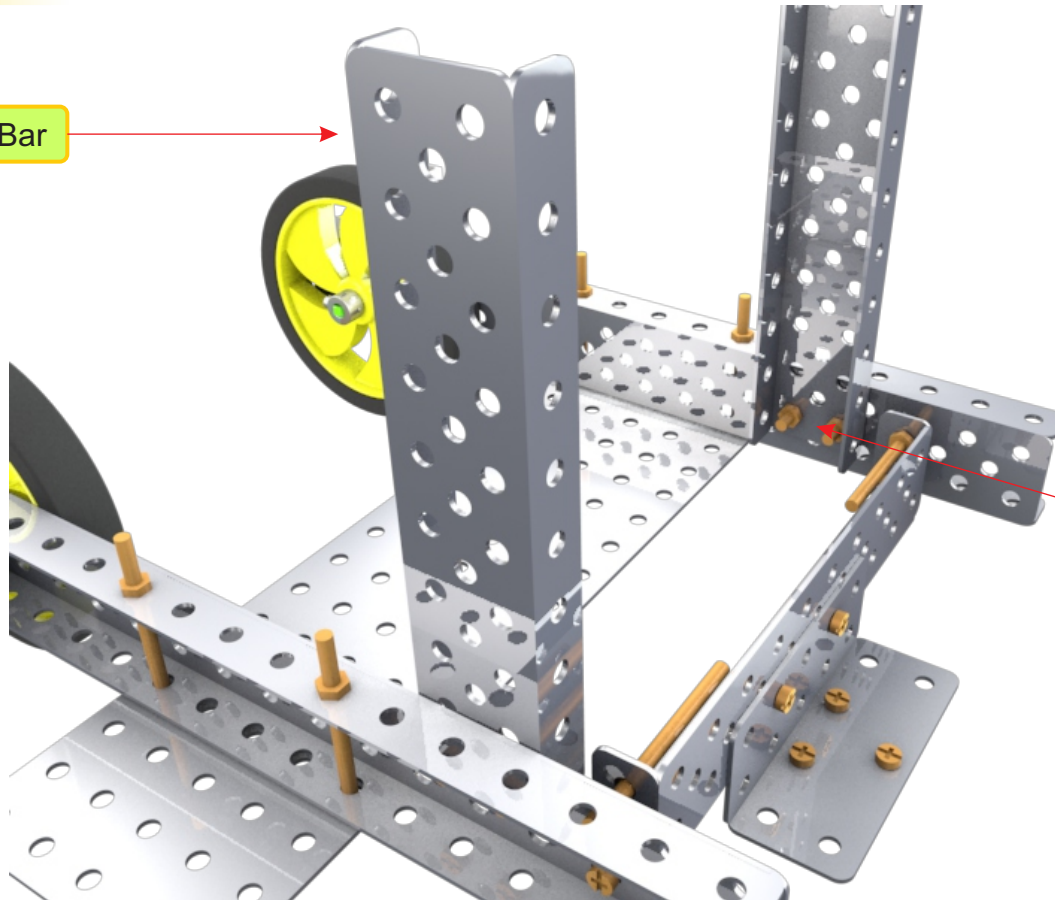
5



Harvester

6

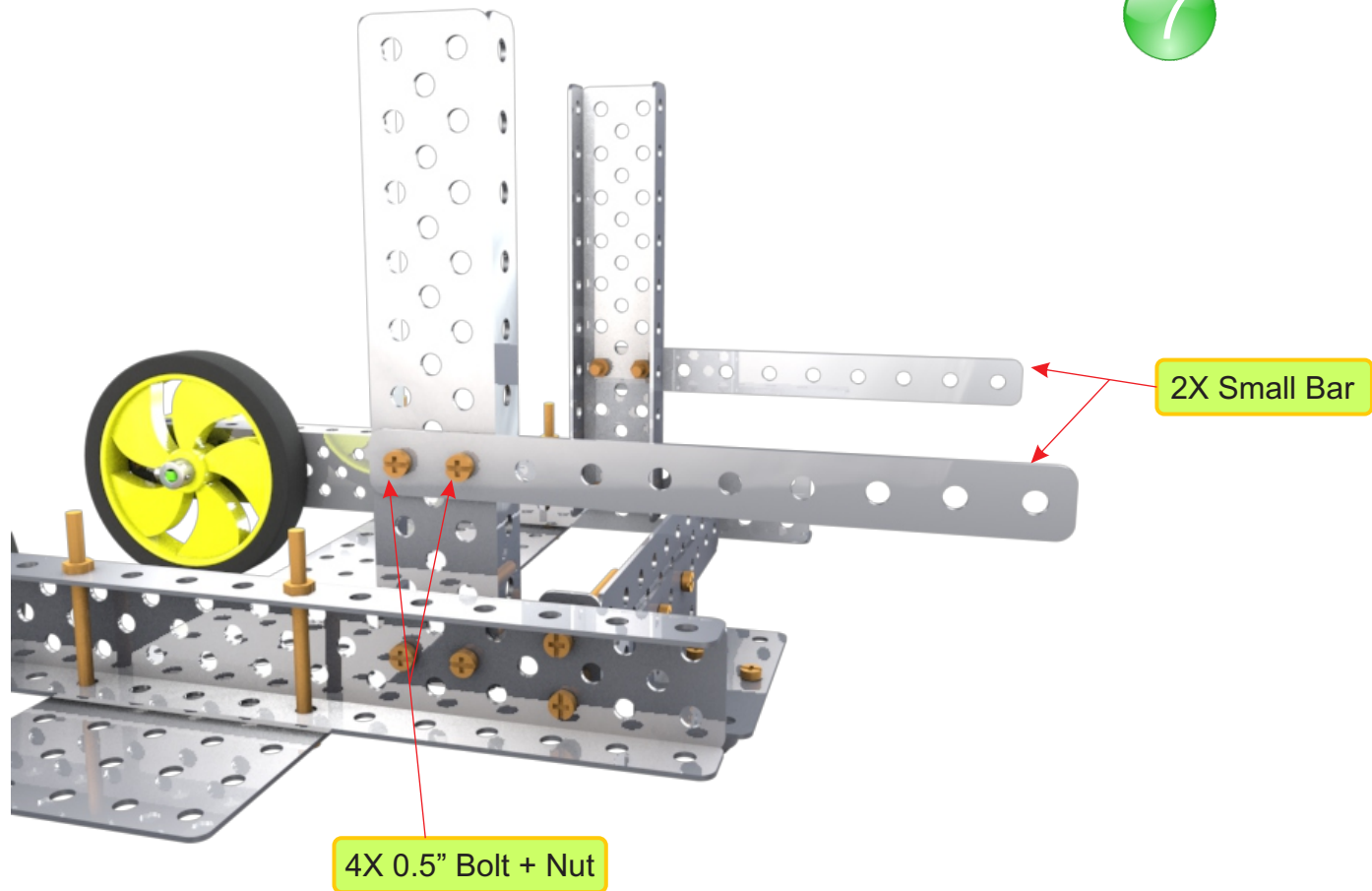
2X C Small Bar



4X 0.5" Bolt + Nut

Harvester

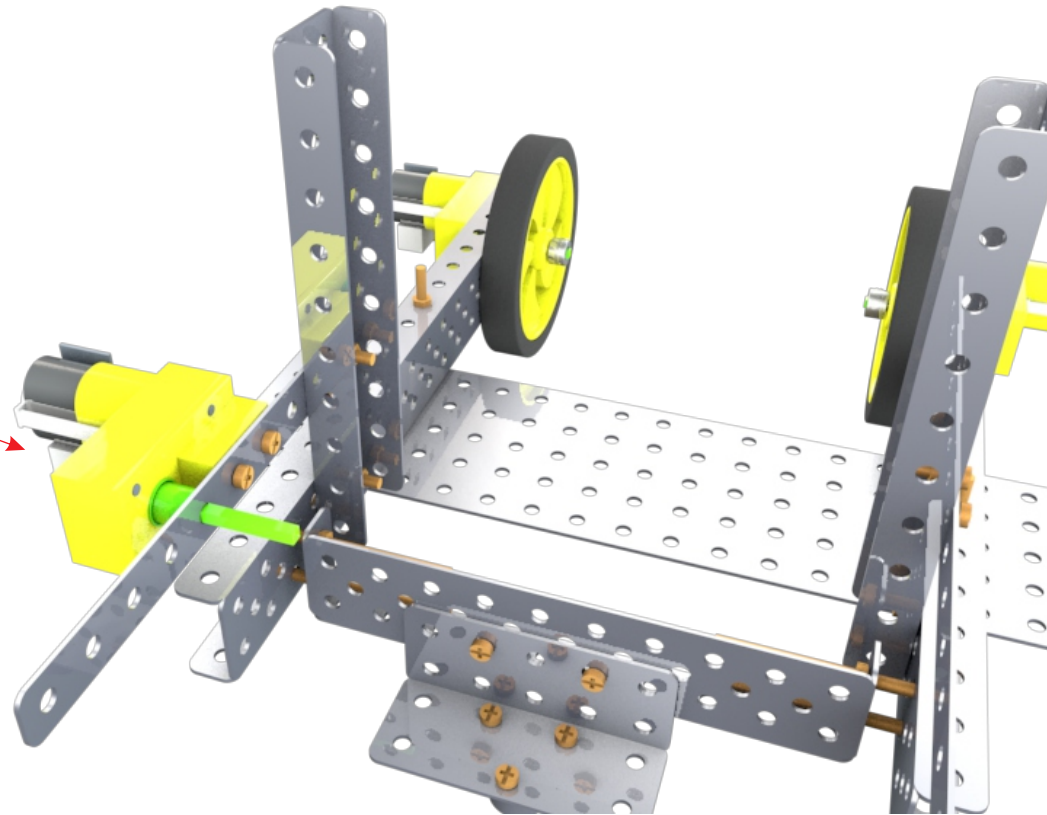
7



Harvester

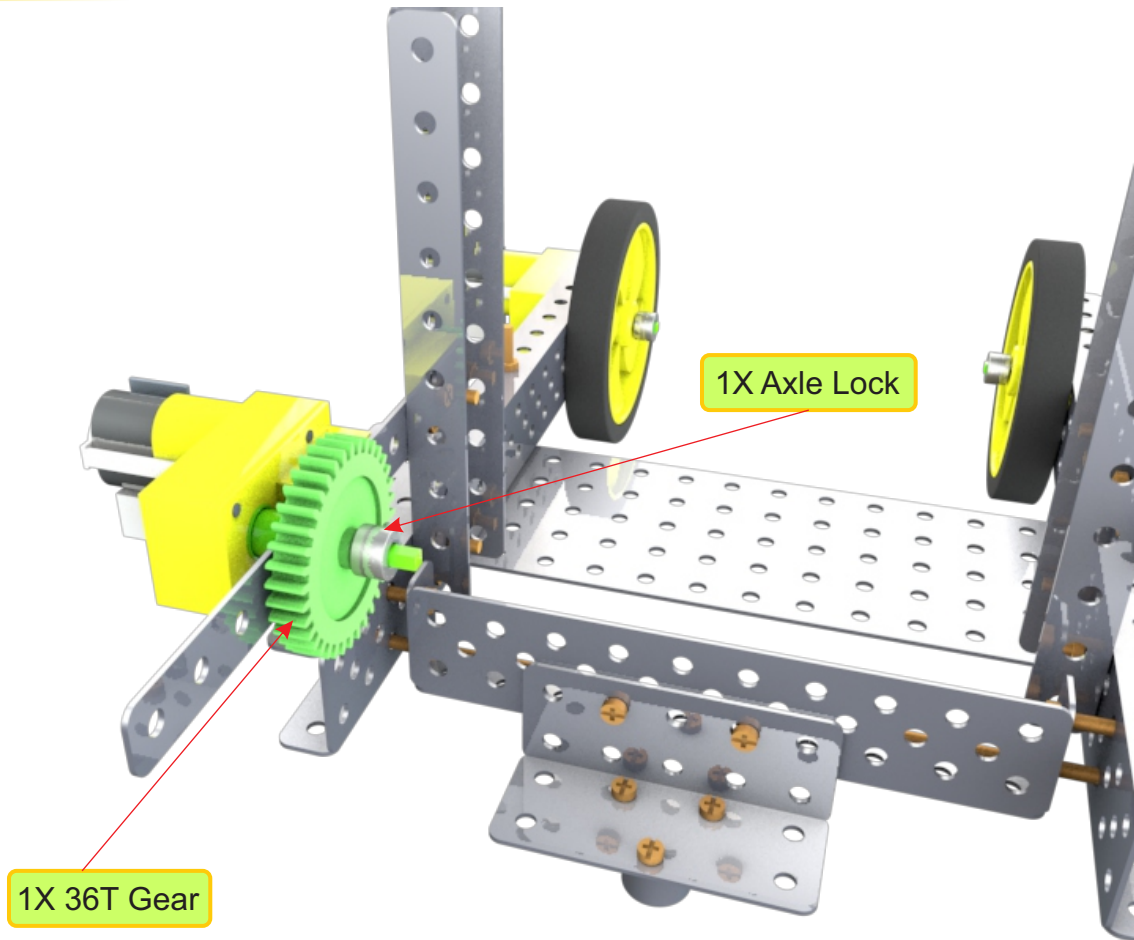
8

1X Motor



Harvester

9

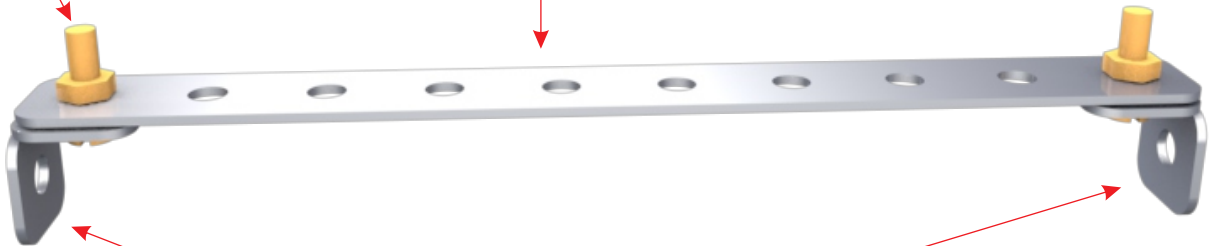


Harvester

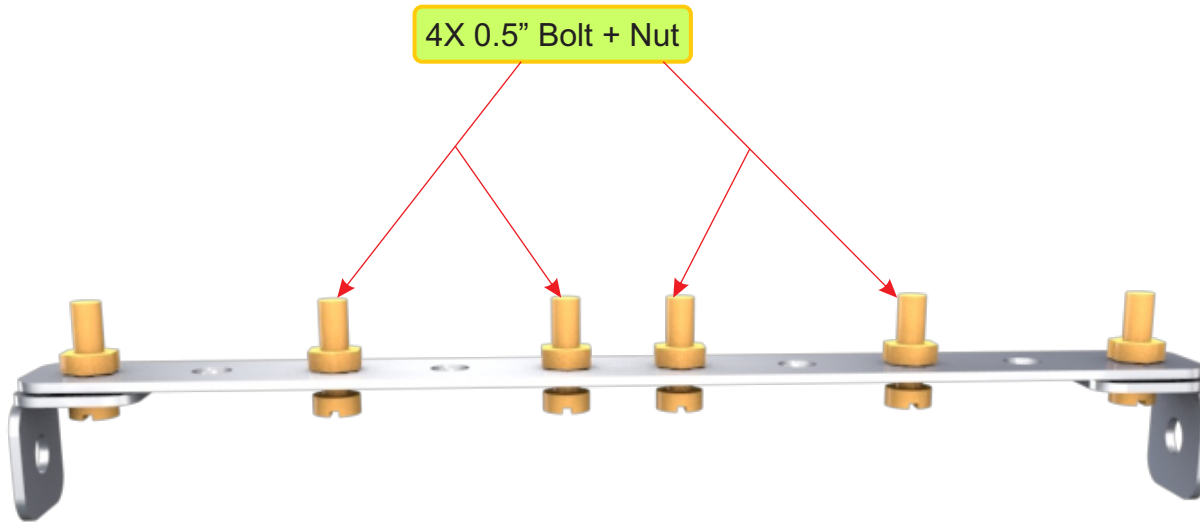
10

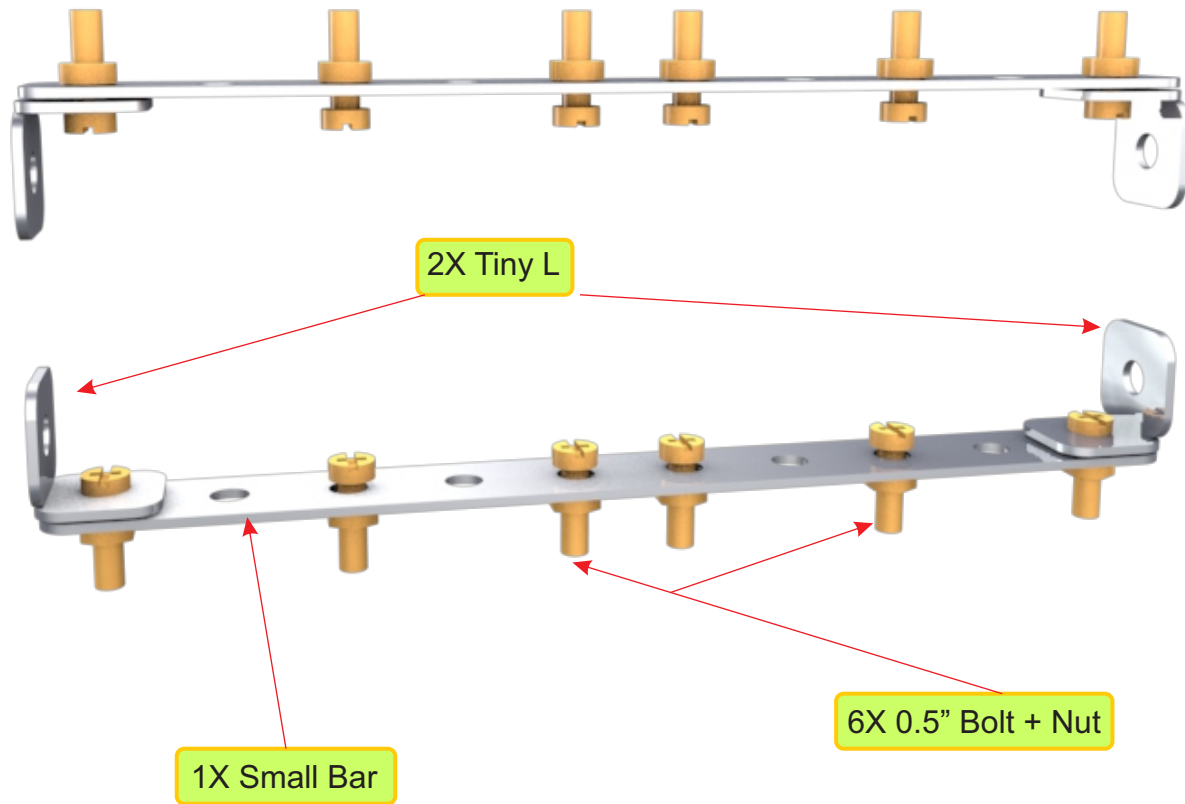
2X 0.5" Bolt + Nut

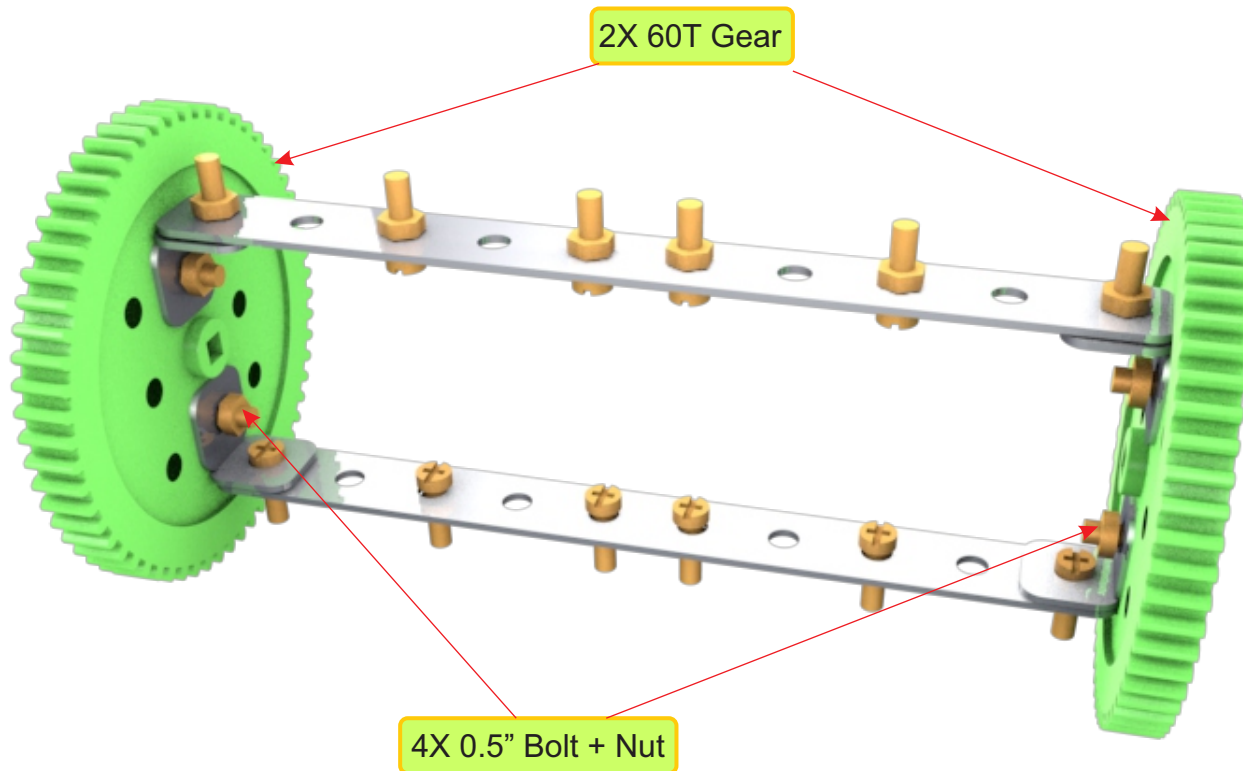
1X Small Bar



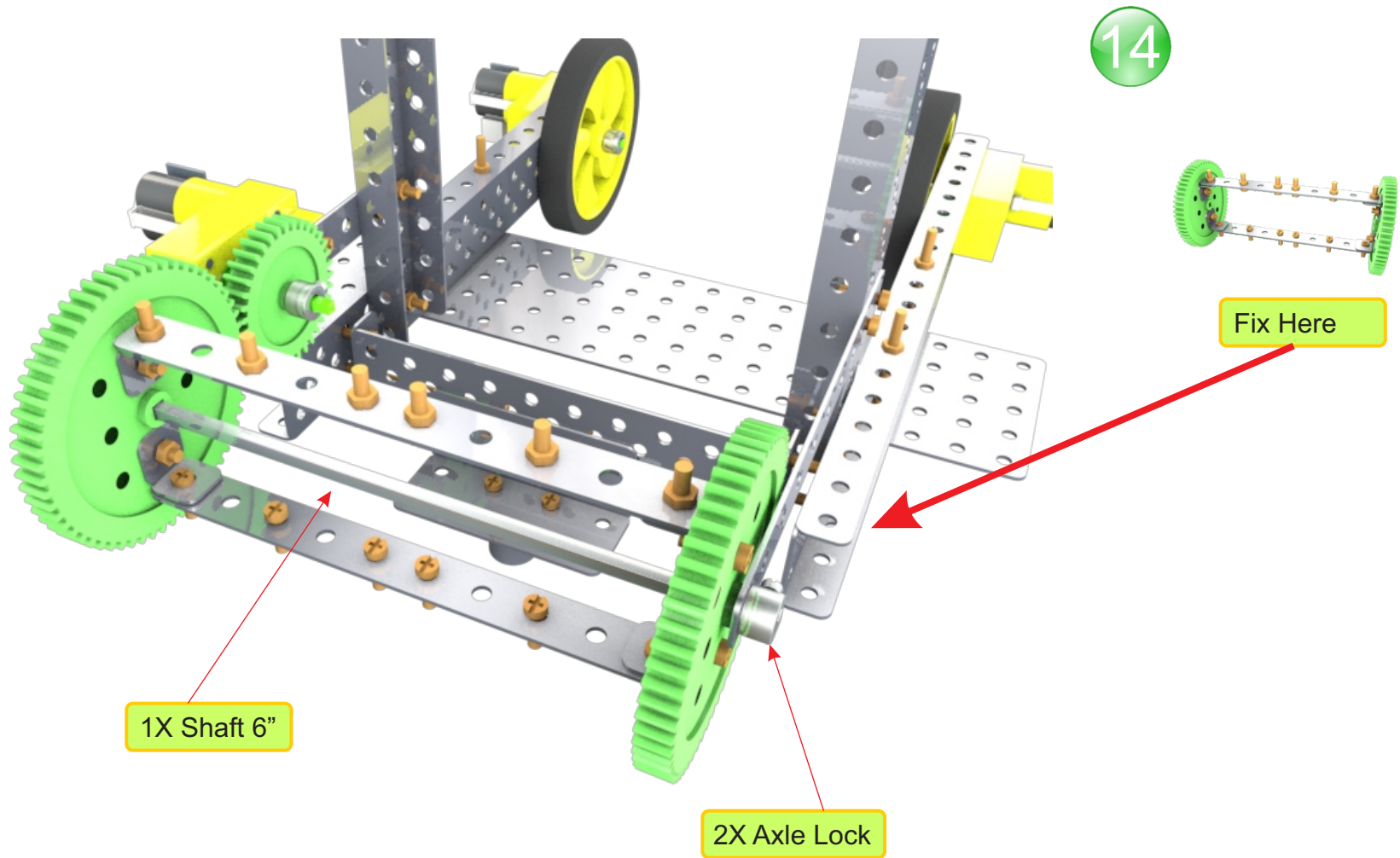
2X Tiny L



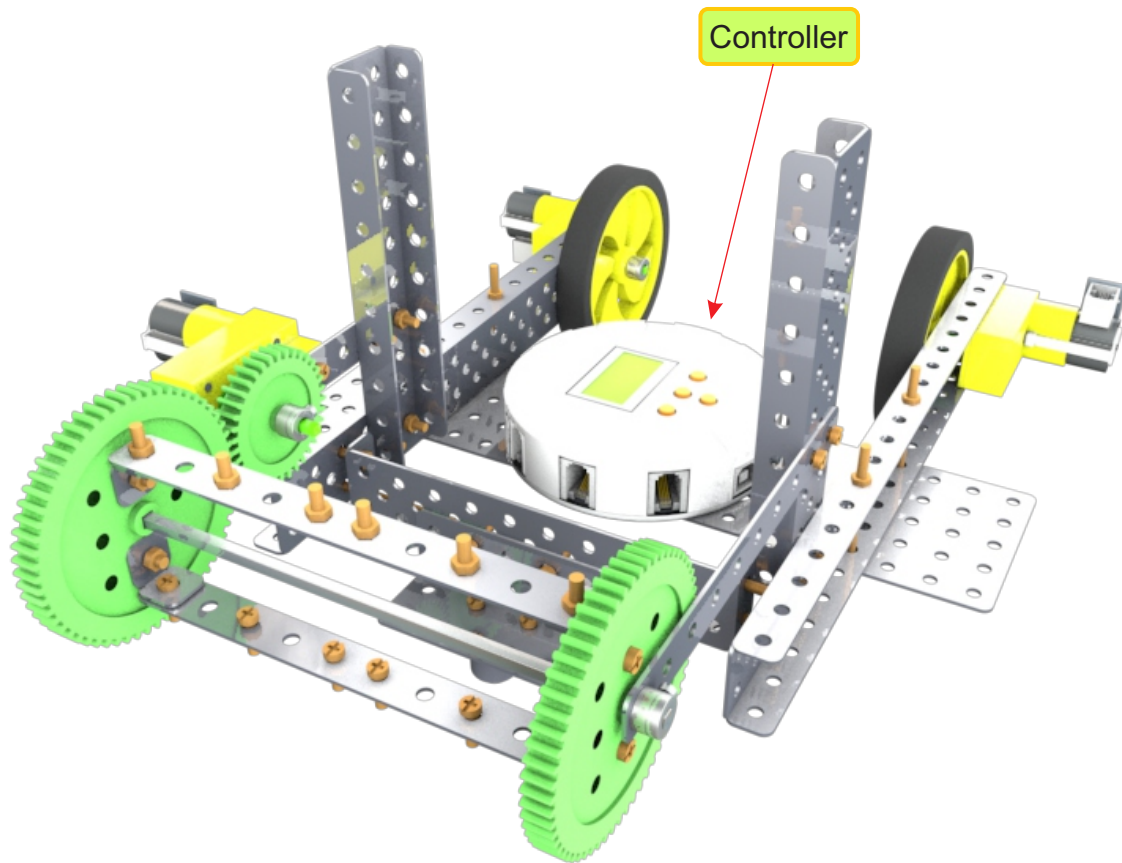




Harvester



Harvester



15