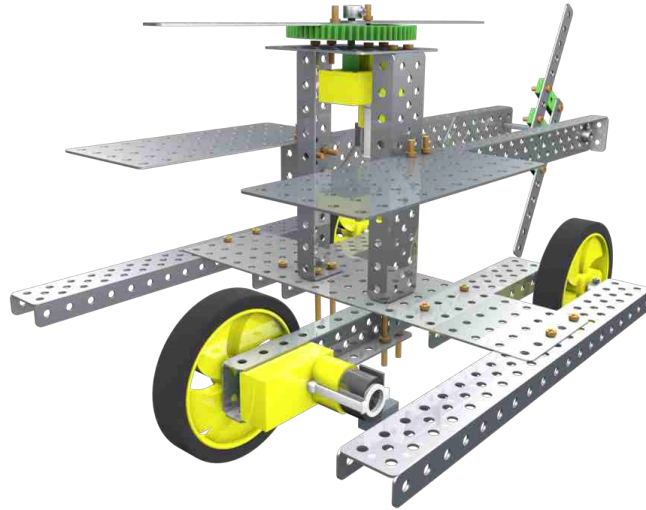


#3 Helicopter



1

1x C Big Bar

1x C Small Bar

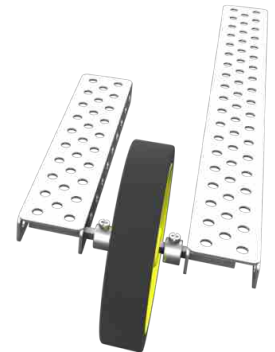
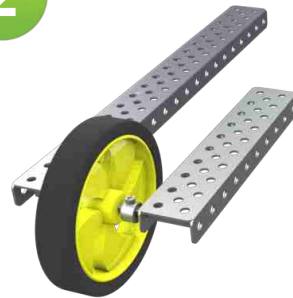
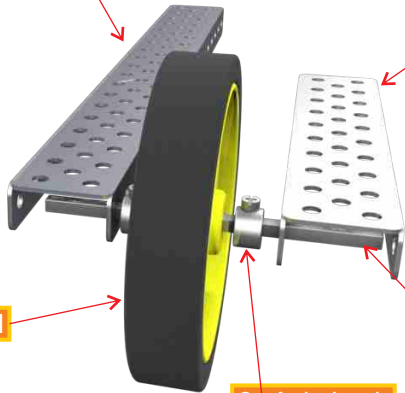
1x Wheel

2x Axle Lock

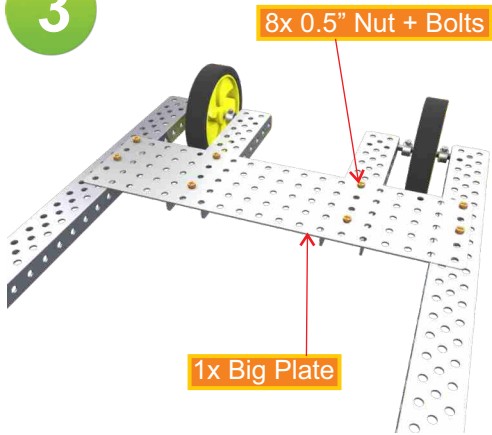
1x Shaft 3"

2

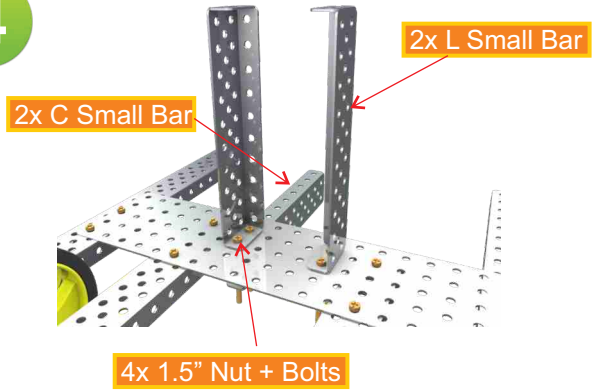
Make two (mirror) assemblies of step 1



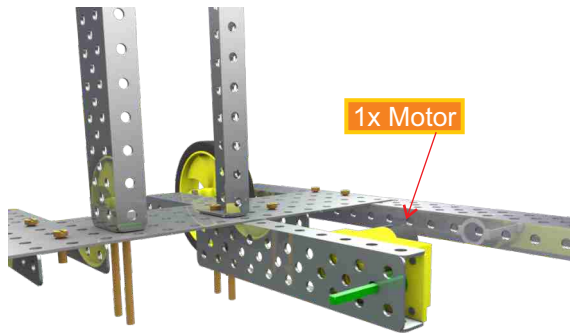
3



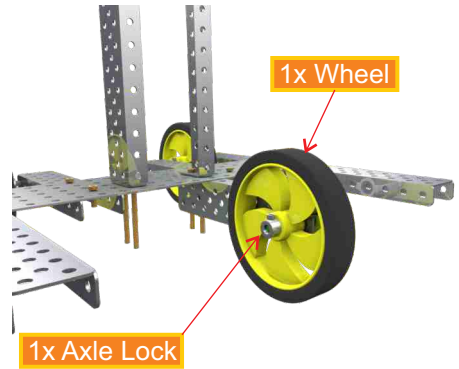
4



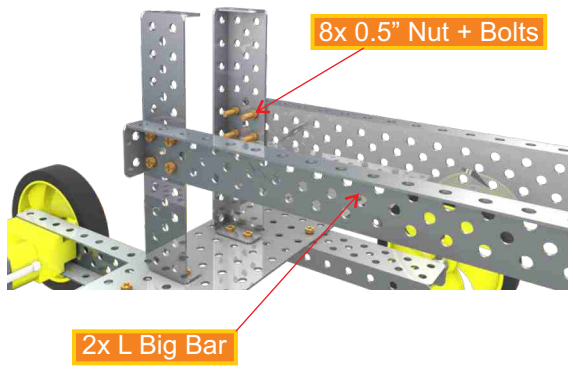
5



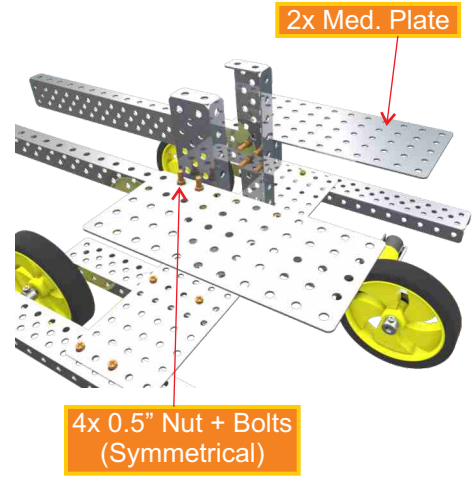
6



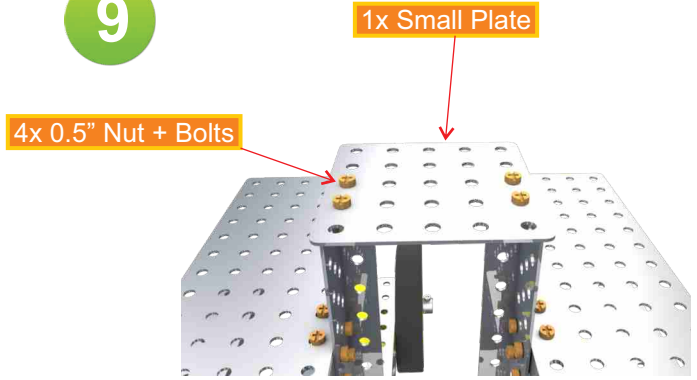
7



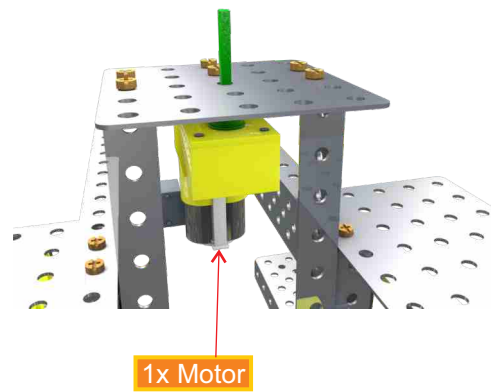
8



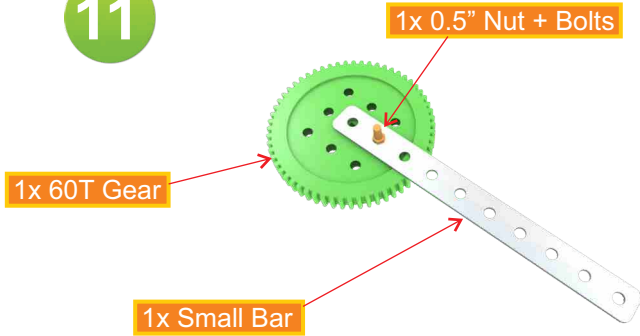
9



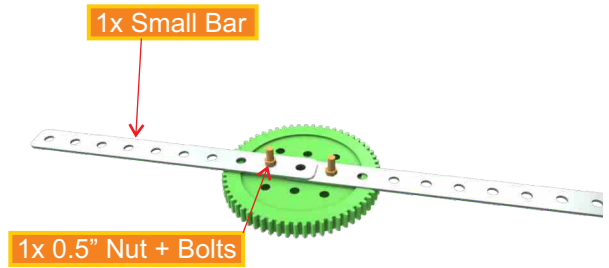
10



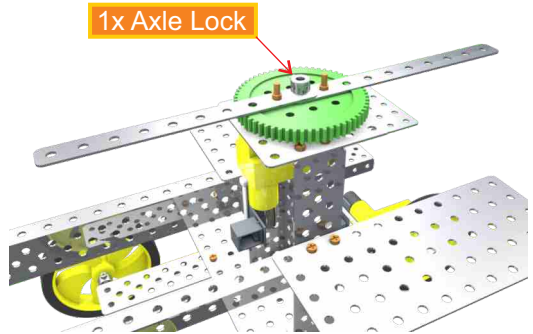
11



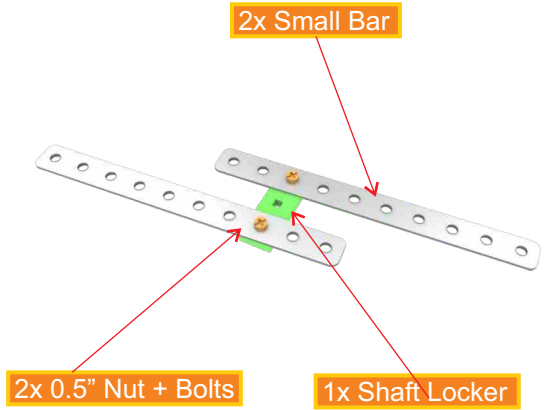
12



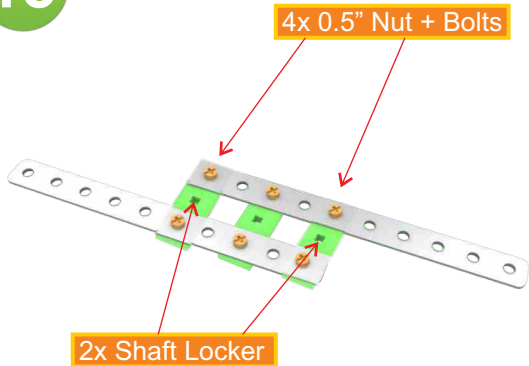
13



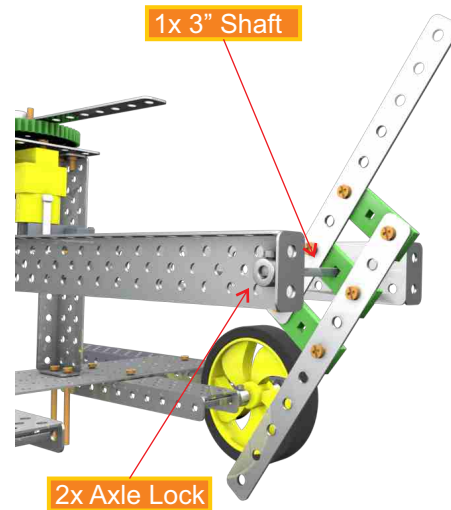
14



15



16



What did you learn?

