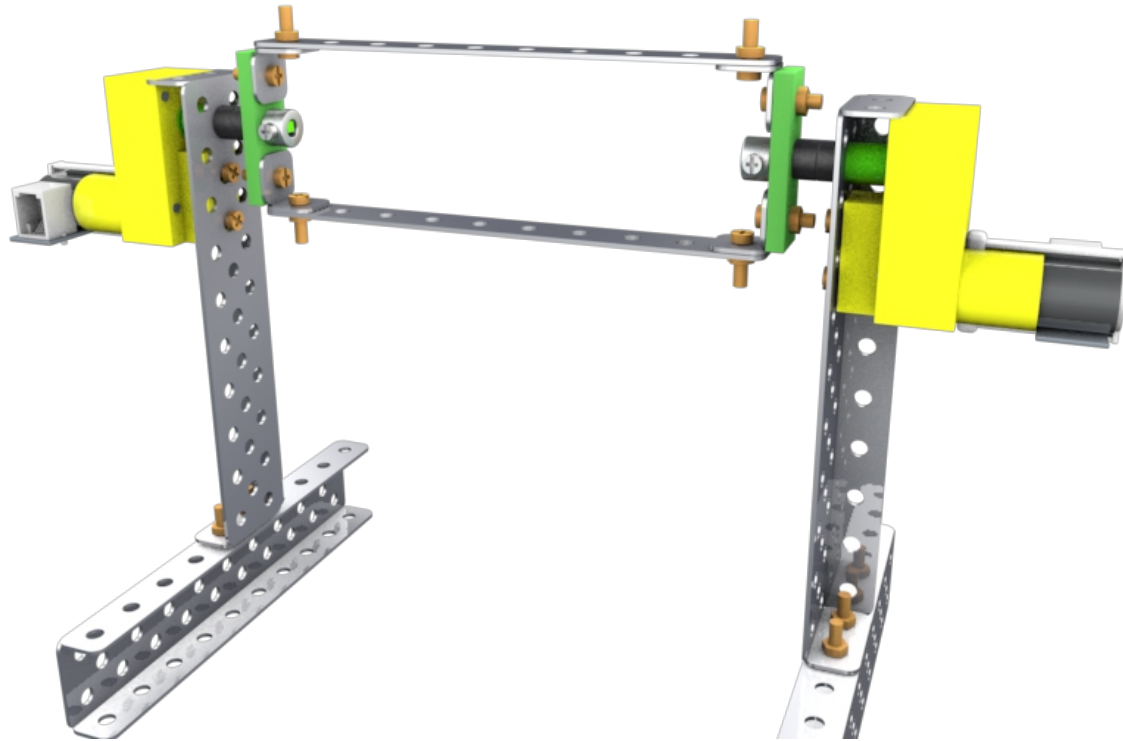


# Roller



Product of



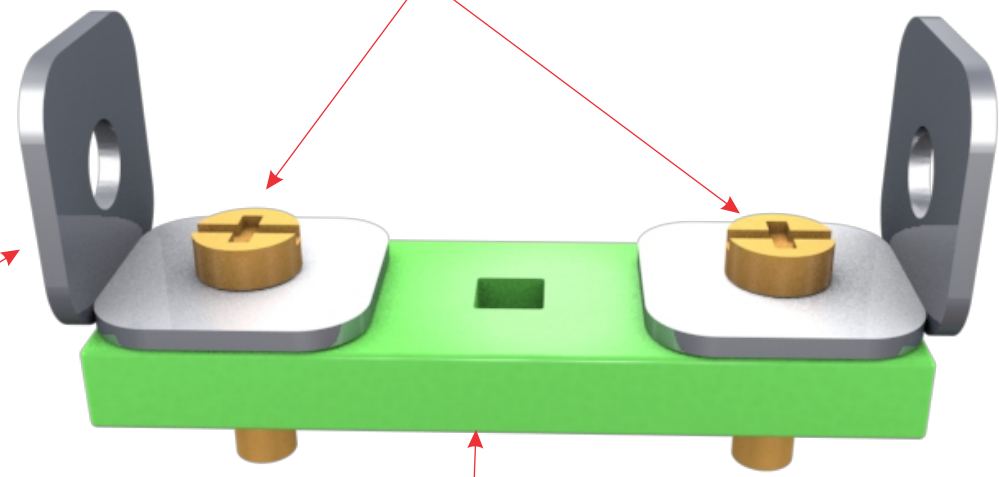
## Roller

1

2X 0.5" Bolt + Nut

2X Tiny L

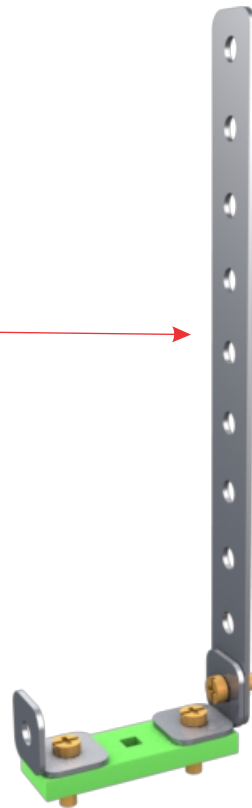
1X Shaft Locker



## Roller

2

1X Small Bar



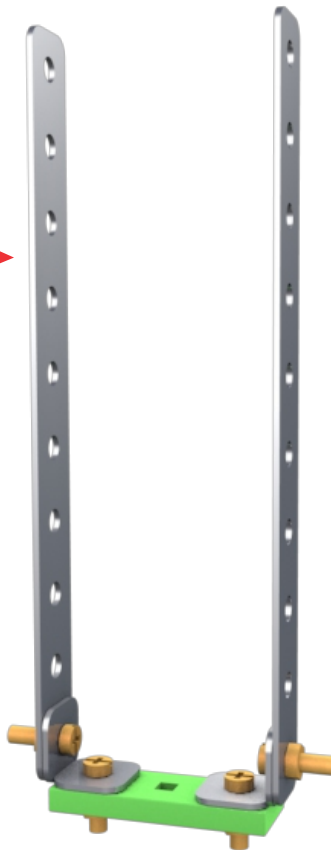
1X 0.5" Bolt + Nut

Roller

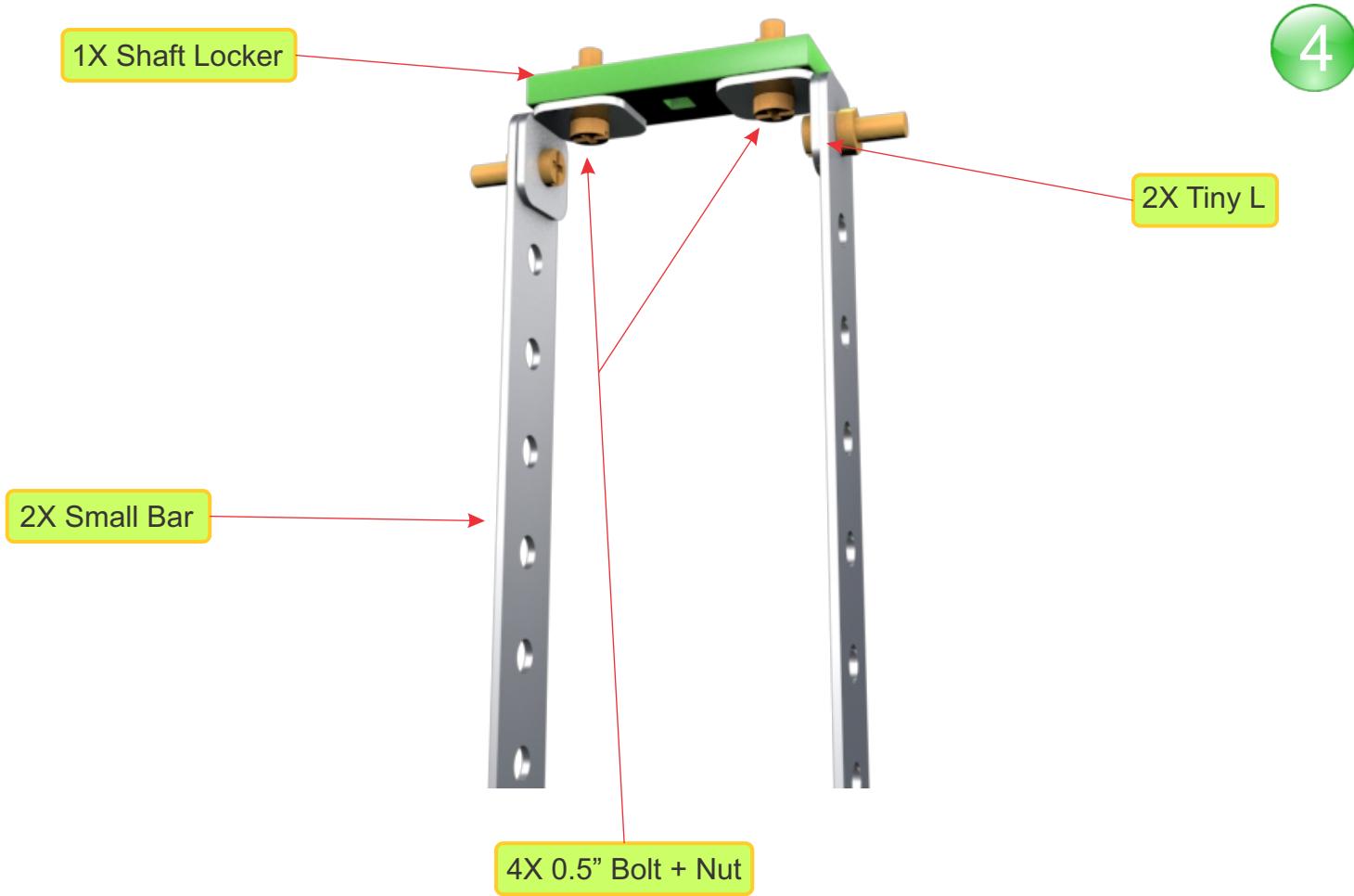
3

1X Small Bar

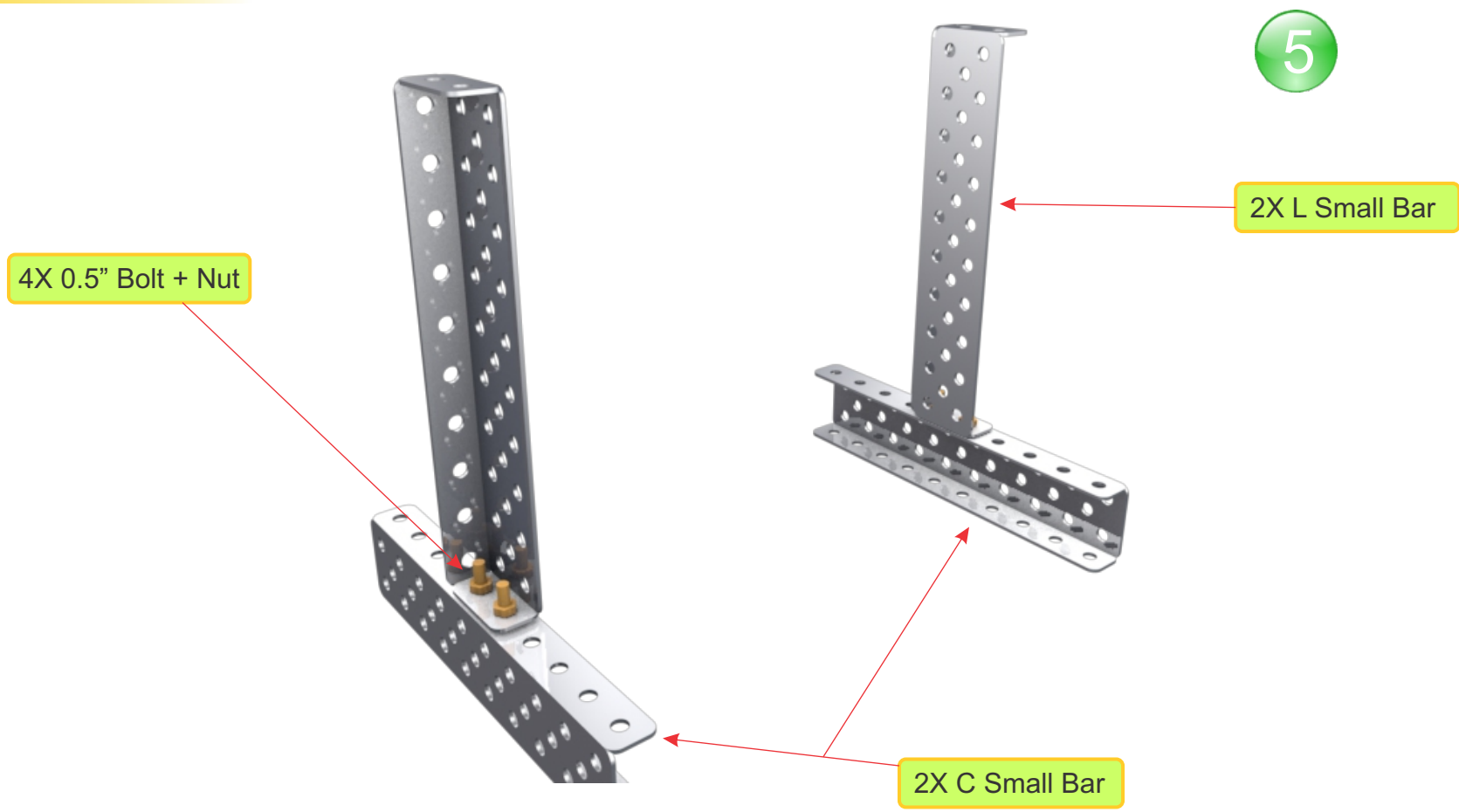
1X 0.5" Bolt + Nut



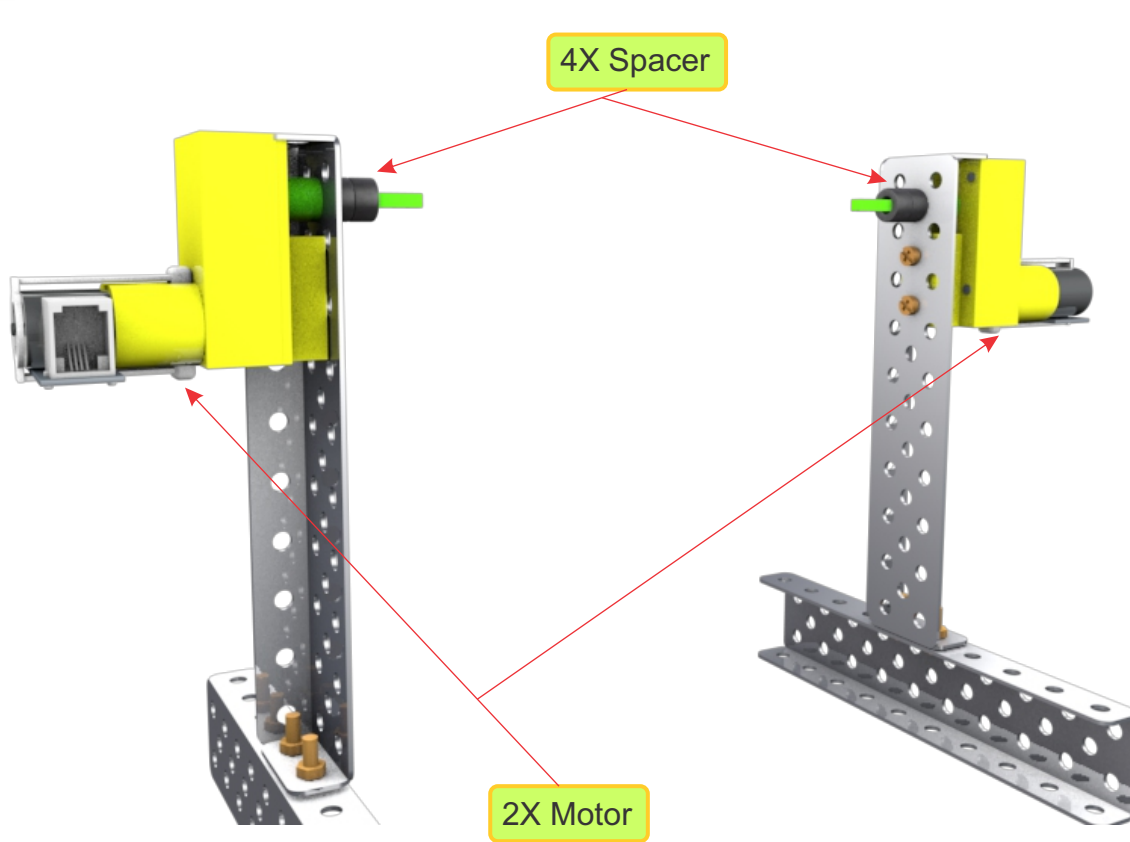
## Roller



## Roller

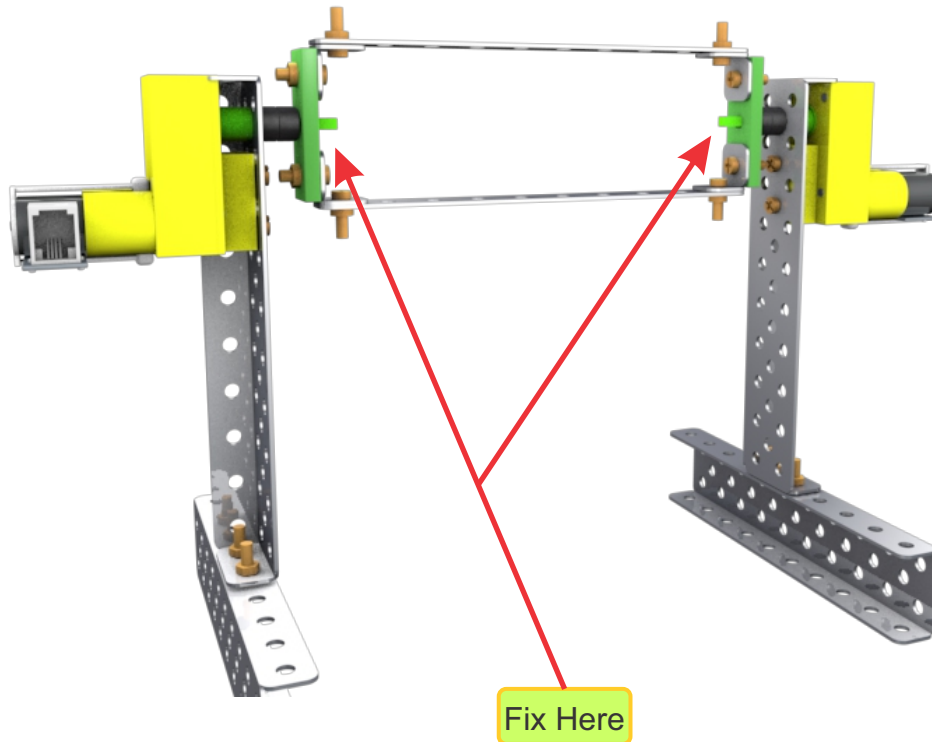


## Roller



## Roller

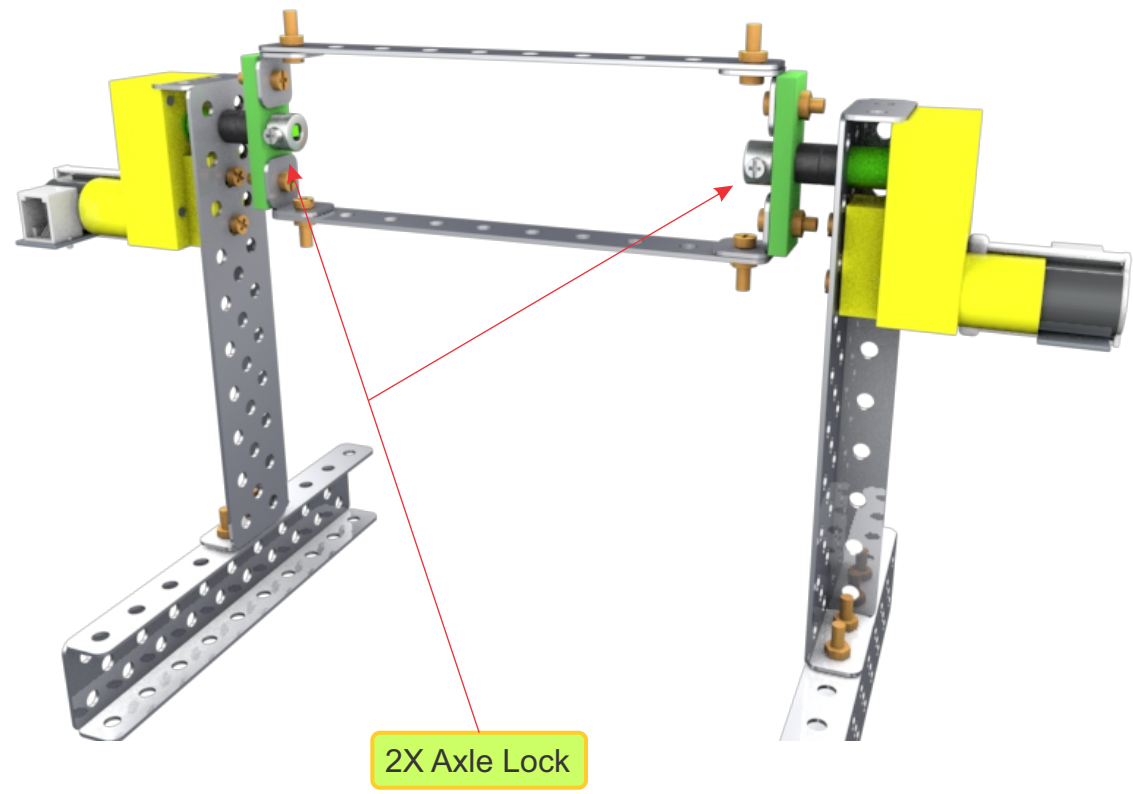
7



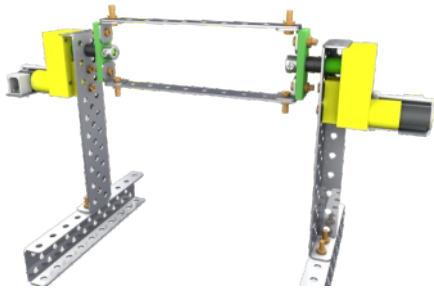


## Roller

8



## Disassemble



What did you learn?

---

---

---

---